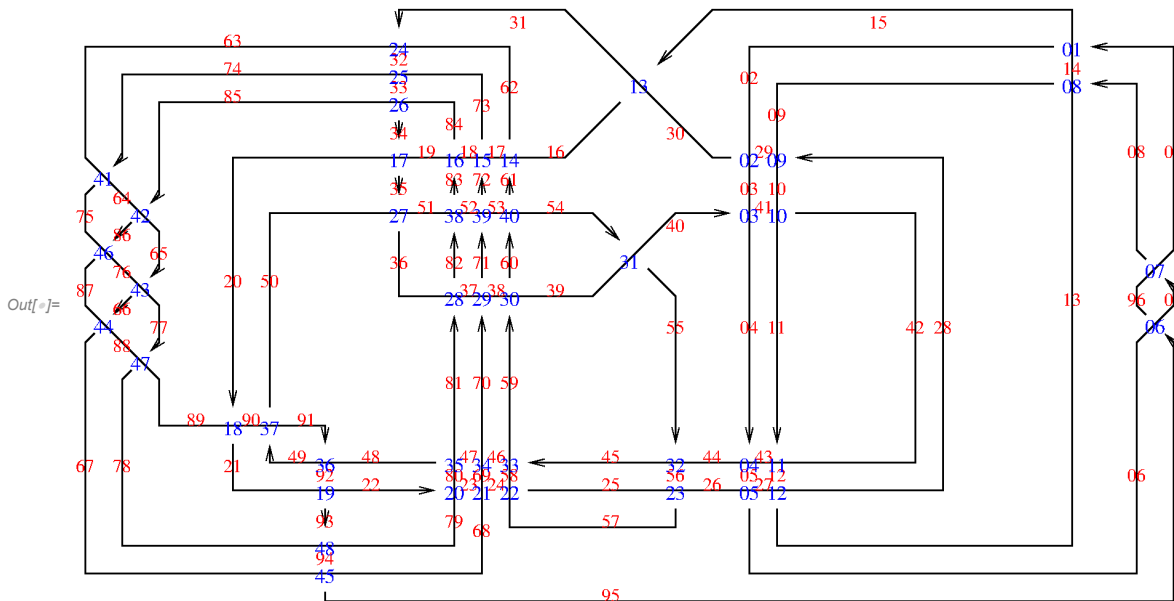


Pensieve header: Implementing the Jones polynomial.

Based on <http://drorbn.net/syd3>

Setting Knots to contain all from Knot[3,1] to Knot[10,165] as well as GST48...



```
In[ ]:= K = PD[X[1, 5, 2, 4], X[5, 3, 6, 2], X[3, 1, 4, 6]]
```

```
Out[ ]:= PD[X[1, 5, 2, 4], X[5, 3, 6, 2], X[3, 1, 4, 6]]
```

```
In[ ]:= t1 = K /. X[i_, j_, k_, L_] -> A * p[i, j] * p[k, 1] + B * p[i, 1] p[j, k]
```

```
Out[ ]:= PD[A p[1, 5] p[2, 4] + B p[1, 4] p[5, 2],
  B p[3, 6] p[5, 2] + A p[5, 3] p[6, 2], B p[1, 4] p[3, 6] + A p[3, 1] p[4, 6]]
```

```
In[ ]:= t2 = Expand[t1 /. PD -> Times]
```

```
Out[ ]:= A^2 B^2 p[1, 4] p[1, 5] p[2, 4] p[3, 6]^2 p[5, 2] + A^2 B p[1, 5] p[2, 4] p[3, 1] p[3, 6] p[4, 6] p[5, 2] +
  B^3 p[1, 4]^2 p[3, 6]^2 p[5, 2]^2 + A B^2 p[1, 4] p[3, 1] p[3, 6] p[4, 6] p[5, 2]^2 +
  A^2 B p[1, 4] p[1, 5] p[2, 4] p[3, 6] p[5, 3] p[6, 2] +
  A^3 p[1, 5] p[2, 4] p[3, 1] p[4, 6] p[5, 3] p[6, 2] +
  A B^2 p[1, 4]^2 p[3, 6] p[5, 2] p[5, 3] p[6, 2] + A^2 B p[1, 4] p[3, 1] p[4, 6] p[5, 2] p[5, 3] p[6, 2]
```

```
In[ ]:= {7, 1} /. {{0, n_} -> n, {k_, n_} -> {k - 1, n * k}}
```

```
Out[ ]:= {6, 7}
```

```
In[ ]:= {7, 1} //. {{0, n_} -> n, {k_, n_} -> {k - 1, n * k}}
```

```
Out[ ]:= 5040
```

```
In[ ]:= t3 = t2 //. p[i_, j_] p[j_, k_] -> p[i, k]
```

```
Out[ ]:= A^2 B p[1, 4]^2 + A^3 p[2, 2] p[3, 3] + A^2 B p[3, 6]^2 + A B^2 p[1, 4]^2 p[3, 6]^2 + A^2 B p[5, 2]^2 +
  A B^2 p[1, 4]^2 p[5, 2]^2 + A B^2 p[3, 6]^2 p[5, 2]^2 + B^3 p[1, 4]^2 p[3, 6]^2 p[5, 2]^2
```

In[ ]:= **t4 = t3 /. {p[i\_, i\_] → d, p[i\_, j\_] ^2 → d}**

Out[ ]:=  $3 A^2 B d + A^3 d^2 + 3 A B^2 d^2 + B^3 d^3$

In[ ]:= **t5 = Expand[t4 /. {B → 1 / A, d → -A^2 - 1 / A^2}]**

Out[ ]:=  $-\frac{1}{A^9} + \frac{1}{A} + A^3 + A^7$

In[ ]:= **Knots**

Out[ ]:= {Knot[3, 1] → PD[X[1, 4, 2, 5], X[3, 6, 4, 1], X[5, 2, 6, 3]],  
 ... 248 ... , GST48 → PD[X[1, 15, 2, 14], X[29, 2, 30, 3], X[40, 4, 41, 3],  
 X[4, 44, 5, 43], X[5, 26, 6, 27], X[95, 7, 96, 6], X[7, 1, 8, 96],  
 X[8, 14, 9, 13], X[28, 9, 29, 10], ... 30 ... , X[60, 54, 61, 53],  
 X[74, 63, 75, 64], X[85, 64, 86, 65], X[65, 76, 66, 77], X[66, 87, 67, 88],  
 X[94, 67, 95, 68], X[86, 75, 87, 76], X[77, 88, 78, 89], X[93, 78, 94, 79]] }

large output	show less	show more	show all	set size limit...
--------------	-----------	-----------	----------	-------------------

In[ ]:= **Knot[3, 1] /. Knots**

Out[ ]:= PD[X[1, 4, 2, 5], X[3, 6, 4, 1], X[5, 2, 6, 3]]

In[ ]:= **Knot[10, 165] /. Knots**

Out[ ]:= PD[X[1, 6, 2, 7], X[7, 18, 8, 19], X[3, 9, 4, 8], X[17, 3, 18, 2], X[5, 15, 6, 14],  
 X[9, 17, 10, 16], X[15, 11, 16, 10], X[11, 5, 12, 4], X[20, 14, 1, 13], X[12, 20, 13, 19]]

In[ ]:= **K = Knot[10, 73] /. Knots;**

**t1 = K /. X[i\_, j\_, k\_, l\_] → A \* p[i, j] \* p[k, l] + B \* p[i, l] p[j, k];**

**t2 = Expand[t1 /. PD → Times];**

**t3 = t2 //. {p[i\_, j\_] p[j\_, k\_] → p[i, k], p[i\_, j\_] p[k\_, j\_] → p[i, k]};**

**t4 = t3 /. {p[i\_, i\_] → d, p[i\_, j\_] ^2 → d};**

**Expand[t4 /. {B → 1 / A, d → -A^2 - 1 / A^2}]**

Out[ ]:=  $\frac{1}{A^{22}} - \frac{3}{A^{18}} + \frac{3}{A^{14}} - \frac{4}{A^{10}} + \frac{2}{A^6} - \frac{1}{A^2} - A^2 + 3 A^6 - 4 A^{10} + 3 A^{14} - 2 A^{18} + A^{22}$

In[ ]:= **KB[pd\_PD] := Module[{p, t1, t2, t3, t4, B, d},**

**SetAttributes[p, Orderless];**

**t1 = pd /. X[i\_, j\_, k\_, l\_] → A \* p[i, j] \* p[k, l] + B \* p[i, l] p[j, k];**

**t2 = Expand[t1 /. PD → Times];**

**t3 = t2 //. {p[i\_, j\_] p[j\_, k\_] → p[i, k]};**

**t4 = t3 /. {p[i\_, i\_] → d, p[i\_, j\_] ^2 → d};**

**Expand[t4 /. {B → 1 / A, d → -A^2 - 1 / A^2}]**

**]**

In[ ]:= **KB[Knot[8, 17] /. Knots]**

$$\text{Out[ ]:= } -\frac{1}{A^{18}} + \frac{2}{A^{14}} - \frac{2}{A^{10}} + \frac{1}{A^6} - \frac{1}{A^2} - A^2 + A^6 - 2A^{10} + 2A^{14} - A^{18}$$

In[ ]:= **tab10 = Table[**

**Echo[Timing[{k, KB[Knot[10, k] /. Knots]}]],**  
**{k, 165}**  
**]**

- » {0.3125, {1,  $-\frac{1}{A^{28}} - \frac{1}{A^{20}} + A^4 - A^{16}$ }}
- » {0.3125, {2,  $-1 - \frac{1}{A^{16}} - \frac{1}{A^8} + A^{16} + A^{24} - A^{28}$ }}
- » {0.3125, {3,  $1 - \frac{1}{A^{24}} - \frac{1}{A^{16}} + \frac{1}{A^{12}} - \frac{1}{A^8} + A^8 - A^{12} - A^{20}$ }}
- » {0.4375, {4,  $-\frac{1}{A^{16}} - \frac{1}{A^8} + \frac{1}{A^4} + A^4 - A^{12} - A^{20} + A^{24} - A^{28}$ }}
- » {0.3125, {5,  $\frac{1}{A^{26}} - \frac{1}{A^{22}} + \frac{1}{A^{18}} - \frac{1}{A^{14}} + \frac{1}{A^{10}} - \frac{1}{A^2} - 2A^6 - A^{14} + A^{18}$ }}
- » {0.28125, {6,  $1 - \frac{1}{A^{20}} - \frac{2}{A^{12}} + \frac{1}{A^8} - \frac{1}{A^4} - A^8 + 2A^{12} - A^{16} + A^{20} - A^{24}$ }}
- » {0.28125, {7,  $1 - \frac{1}{A^{24}} + \frac{1}{A^{20}} - \frac{2}{A^{16}} + \frac{1}{A^{12}} - \frac{2}{A^8} - A^4 + 2A^8 - A^{12} + A^{16} - A^{20}$ }}
- » {0.328125, {8,  $-1 - \frac{1}{A^{16}} - \frac{1}{A^8} + \frac{1}{A^4} + A^{16} - A^{20} + A^{24} - A^{28}$ }}
- » {0.28125, {9,  $-\frac{1}{A^{24}} + \frac{1}{A^{20}} - \frac{1}{A^{16}} + \frac{2}{A^{12}} - \frac{1}{A^8} - 2A^4 + A^8 - A^{12} + A^{16} - A^{20}$ }}
- » {0.375, {10,  $\frac{1}{A^{18}} - \frac{1}{A^{14}} + \frac{1}{A^{10}} - \frac{2}{A^6} + \frac{1}{A^2} - A^2 + A^{10} - 2A^{14} + A^{18} - 2A^{22} + A^{26}$ }}
- » {0.265625, {11,  $1 - \frac{1}{A^{20}} - \frac{2}{A^{12}} + \frac{2}{A^8} - \frac{1}{A^4} - A^8 + 2A^{12} - 2A^{16} + A^{20} - A^{24}$ }}
- » {0.453125, {12,  $\frac{1}{A^{22}} - \frac{1}{A^{18}} + \frac{2}{A^{14}} - \frac{2}{A^{10}} + \frac{1}{A^6} - \frac{1}{A^2} - A^2 + A^6 - 3A^{10} + A^{14} - A^{18} + A^{22}$ }}
- » {0.21875, {13,  $1 - \frac{1}{A^{24}} + \frac{1}{A^{20}} - \frac{3}{A^{16}} + \frac{2}{A^{12}} - \frac{1}{A^8} + \frac{1}{A^4} - 2A^4 + 2A^8 - 2A^{12} + A^{16} - A^{20}$ }}
- » {0.28125, {14,  $-\frac{1}{A^{20}} + \frac{1}{A^{16}} - \frac{2}{A^{12}} + \frac{2}{A^8} - \frac{3}{A^4} - A^8 + 3A^{12} - 2A^{16} + 2A^{20} - A^{24}$ }}
- » {0.28125, {15,  $\frac{1}{A^{26}} - \frac{1}{A^{22}} + \frac{2}{A^{18}} - \frac{2}{A^{14}} - \frac{1}{A^6} - \frac{1}{A^2} + A^2 - 2A^6 + A^{10} - A^{14} + A^{18}$ }}
- » {0.3125, {16,  $1 - \frac{1}{A^{24}} + \frac{1}{A^{20}} - \frac{2}{A^{16}} + \frac{2}{A^{12}} - \frac{1}{A^8} + \frac{1}{A^4} - 2A^4 + A^8 - 2A^{12} + A^{16} - A^{20}$ }}
- » {0.46875, {17,  $\frac{1}{A^{22}} - \frac{1}{A^{18}} + \frac{1}{A^{14}} - \frac{2}{A^{10}} + \frac{1}{A^6} - \frac{1}{A^2} - A^2 + A^6 - 2A^{10} + A^{14} - A^{18} + A^{22}$ }}

- »  $\left\{ 0.28125, \left\{ 18, 1 - \frac{1}{A^{20}} + \frac{1}{A^{16}} - \frac{2}{A^{12}} + \frac{2}{A^8} - \frac{2}{A^4} - 2A^8 + 2A^{12} - 2A^{16} + 2A^{20} - A^{24} \right\} \right\}$
- »  $\left\{ 0.3125, \left\{ 19, \frac{1}{A^{18}} - \frac{1}{A^{14}} + \frac{1}{A^{10}} - \frac{3}{A^6} + \frac{1}{A^2} - A^2 + A^{10} - 2A^{14} + 2A^{18} - 2A^{22} + A^{26} \right\} \right\}$
- »  $\left\{ 0.234375, \left\{ 20, 1 - \frac{1}{A^{24}} - \frac{2}{A^{16}} + \frac{1}{A^{12}} - \frac{1}{A^8} + \frac{1}{A^4} - A^4 + A^8 - A^{12} + A^{16} - A^{20} \right\} \right\}$
- »  $\left\{ 0.484375, \left\{ 21, -\frac{1}{A^{20}} + \frac{1}{A^{16}} - \frac{2}{A^{12}} + \frac{1}{A^8} - \frac{2}{A^4} - A^8 + 3A^{12} - A^{16} + A^{20} - A^{24} \right\} \right\}$
- »  $\left\{ 0.3125, \left\{ 22, 1 - \frac{1}{A^{20}} + \frac{1}{A^{16}} - \frac{2}{A^{12}} + \frac{2}{A^8} - \frac{1}{A^4} - 2A^8 + 2A^{12} - 2A^{16} + A^{20} - A^{24} \right\} \right\}$
- »  $\left\{ 0.265625, \left\{ 23, \frac{1}{A^{22}} - \frac{1}{A^{18}} + \frac{2}{A^{14}} - \frac{3}{A^{10}} + \frac{2}{A^6} - \frac{1}{A^2} - A^2 + A^6 - 3A^{10} + 2A^{14} - 2A^{18} + A^{22} \right\} \right\}$
- »  $\left\{ 0.296875, \left\{ 24, 1 - \frac{1}{A^{24}} + \frac{1}{A^{20}} - \frac{3}{A^{16}} + \frac{2}{A^{12}} - \frac{2}{A^8} - A^4 + 3A^8 - 2A^{12} + A^{16} - A^{20} \right\} \right\}$
- »  $\left\{ 0.34375, \left\{ 25, 1 - \frac{1}{A^{20}} + \frac{1}{A^{16}} - \frac{3}{A^{12}} + \frac{2}{A^8} - \frac{3}{A^4} + A^4 - A^8 + 3A^{12} - 3A^{16} + 2A^{20} - A^{24} \right\} \right\}$
- »  $\left\{ 0.296875, \left\{ 26, 1 - \frac{1}{A^{20}} + \frac{1}{A^{16}} - \frac{2}{A^{12}} + \frac{3}{A^8} - \frac{2}{A^4} - 2A^8 + 2A^{12} - 3A^{16} + 2A^{20} - A^{24} \right\} \right\}$
- »  $\left\{ 0.3125, \left\{ 27, \frac{1}{A^{22}} - \frac{2}{A^{18}} + \frac{2}{A^{14}} - \frac{4}{A^{10}} + \frac{2}{A^6} - \frac{1}{A^2} - A^2 + 2A^6 - 3A^{10} + 3A^{14} - 2A^{18} + A^{22} \right\} \right\}$
- »  $\left\{ 0.296875, \left\{ 28, \frac{1}{A^{18}} - \frac{1}{A^{14}} + \frac{2}{A^{10}} - \frac{2}{A^6} + \frac{1}{A^2} - 2A^2 - A^6 + A^{10} - 2A^{14} + 2A^{18} - 2A^{22} + A^{26} \right\} \right\}$
- »  $\left\{ 0.28125, \left\{ 29, 2 - \frac{1}{A^{20}} + \frac{1}{A^{16}} - \frac{3}{A^{12}} + \frac{2}{A^8} - \frac{2}{A^4} + A^4 - 2A^8 + 2A^{12} - 3A^{16} + 2A^{20} - A^{24} \right\} \right\}$
- »  $\left\{ 0.28125, \left\{ 30, 1 - \frac{1}{A^{24}} + \frac{2}{A^{20}} - \frac{3}{A^{16}} + \frac{2}{A^{12}} - \frac{3}{A^8} - 2A^4 + 3A^8 - 2A^{12} + 2A^{16} - A^{20} \right\} \right\}$
- »  $\left\{ 0.3125, \left\{ 31, \frac{1}{A^{22}} - \frac{1}{A^{18}} + \frac{2}{A^{14}} - \frac{3}{A^{10}} + \frac{1}{A^6} - \frac{2}{A^2} - A^2 + 2A^6 - 2A^{10} + 2A^{14} - 2A^{18} + A^{22} \right\} \right\}$
- »  $\left\{ 0.3125, \left\{ 32, -\frac{1}{A^{24}} + \frac{2}{A^{20}} - \frac{3}{A^{16}} + \frac{3}{A^{12}} - \frac{2}{A^8} - 3A^4 + 3A^8 - 2A^{12} + 2A^{16} - A^{20} \right\} \right\}$
- »  $\left\{ 0.5, \left\{ 33, \frac{1}{A^{22}} - \frac{2}{A^{18}} + \frac{2}{A^{14}} - \frac{3}{A^{10}} + \frac{2}{A^6} - \frac{1}{A^2} - A^2 + 2A^6 - 3A^{10} + 2A^{14} - 2A^{18} + A^{22} \right\} \right\}$
- »  $\left\{ 0.296875, \left\{ 34, \frac{1}{A^{18}} - \frac{1}{A^{14}} + \frac{1}{A^{10}} - \frac{1}{A^6} + \frac{1}{A^2} - A^2 - A^6 - 2A^{14} + A^{18} - A^{22} + A^{26} \right\} \right\}$
- »  $\left\{ 0.25, \left\{ 35, 1 - \frac{1}{A^{20}} + \frac{1}{A^{16}} - \frac{2}{A^{12}} + \frac{2}{A^8} - \frac{1}{A^4} - 2A^8 + 2A^{12} - 2A^{16} + A^{20} - A^{24} \right\} \right\}$
- »  $\left\{ 0.28125, \left\{ 36, -\frac{1}{A^{24}} + \frac{1}{A^{20}} - \frac{2}{A^{16}} + \frac{2}{A^{12}} - \frac{2}{A^8} - 2A^4 + 2A^8 - A^{12} + 2A^{16} - A^{20} \right\} \right\}$
- »  $\left\{ 0.28125, \left\{ 37, \frac{1}{A^{22}} - \frac{1}{A^{18}} + \frac{2}{A^{14}} - \frac{3}{A^{10}} + \frac{1}{A^6} - \frac{1}{A^2} - A^2 + A^6 - 3A^{10} + 2A^{14} - A^{18} + A^{22} \right\} \right\}$
- »  $\left\{ 0.3125, \left\{ 38, 1 - \frac{1}{A^{24}} + \frac{1}{A^{20}} - \frac{3}{A^{16}} + \frac{2}{A^{12}} - \frac{2}{A^8} + \frac{1}{A^4} - 2A^4 + 2A^8 - 2A^{12} + 2A^{16} - A^{20} \right\} \right\}$

- »  $\left\{ 0.34375, \left\{ 39, 1 - \frac{1}{A^{20}} + \frac{1}{A^{16}} - \frac{3}{A^{12}} + \frac{2}{A^8} - \frac{2}{A^4} - 2A^8 + 3A^{12} - 2A^{16} + 2A^{20} - A^{24} \right\} \right\}$
- »  $\left\{ 0.296875, \left\{ 40, \frac{1}{A^{22}} - \frac{2}{A^{18}} + \frac{3}{A^{14}} - \frac{3}{A^{10}} + \frac{3}{A^6} - \frac{1}{A^2} - 2A^2 + A^6 - 4A^{10} + 3A^{14} - 2A^{18} + A^{22} \right\} \right\}$
- »  $\left\{ 0.34375, \left\{ 41, 1 - \frac{1}{A^{20}} + \frac{2}{A^{16}} - \frac{3}{A^{12}} + \frac{2}{A^8} - \frac{3}{A^4} + A^4 - 2A^8 + 3A^{12} - 3A^{16} + 2A^{20} - A^{24} \right\} \right\}$
- »  $\left\{ 0.359375, \left\{ 42, \frac{1}{A^{22}} - \frac{2}{A^{18}} + \frac{3}{A^{14}} - \frac{4}{A^{10}} + \frac{2}{A^6} - \frac{2}{A^2} - A^2 + 3A^6 - 3A^{10} + 3A^{14} - 3A^{18} + A^{22} \right\} \right\}$
- »  $\left\{ 0.328125, \left\{ 43, \frac{1}{A^{22}} - \frac{2}{A^{18}} + \frac{3}{A^{14}} - \frac{3}{A^{10}} + \frac{2}{A^6} - \frac{2}{A^2} - 2A^2 + 2A^6 - 3A^{10} + 3A^{14} - 2A^{18} + A^{22} \right\} \right\}$
- »  $\left\{ 0.40625, \left\{ 44, 1 - \frac{1}{A^{20}} + \frac{2}{A^{16}} - \frac{3}{A^{12}} + \frac{3}{A^8} - \frac{3}{A^4} - 3A^8 + 3A^{12} - 3A^{16} + 3A^{20} - A^{24} \right\} \right\}$
- »  $\left\{ 0.296875, \left\{ 45, \frac{1}{A^{22}} - \frac{3}{A^{18}} + \frac{3}{A^{14}} - \frac{4}{A^{10}} + \frac{3}{A^6} - \frac{1}{A^2} - A^2 + 3A^6 - 4A^{10} + 3A^{14} - 3A^{18} + A^{22} \right\} \right\}$
- »  $\left\{ 0.59375, \left\{ 46, -1 - \frac{1}{A^{28}} + \frac{1}{A^{24}} - \frac{1}{A^{20}} + \frac{1}{A^{16}} + \frac{1}{A^8} + \frac{1}{A^4} - 2A^8 - A^{16} \right\} \right\}$
- »  $\left\{ 0.28125, \left\{ 47, \frac{1}{A^{26}} - \frac{1}{A^{22}} + \frac{2}{A^{18}} - \frac{1}{A^{14}} + \frac{1}{A^{10}} - \frac{1}{A^6} - \frac{2}{A^2} - 2A^6 + A^{10} - A^{14} + A^{18} \right\} \right\}$
- »  $\left\{ 0.34375, \left\{ 48, \frac{1}{A^{22}} - \frac{1}{A^{18}} + \frac{2}{A^{14}} - \frac{2}{A^{10}} + \frac{1}{A^6} - \frac{2}{A^2} - 2A^2 + A^6 - 2A^{10} + 2A^{14} - A^{18} + A^{22} \right\} \right\}$
- »  $\left\{ 0.359375, \left\{ 49, 1 - \frac{1}{A^{20}} + \frac{1}{A^{16}} - \frac{3}{A^{12}} + \frac{1}{A^8} - \frac{3}{A^4} + A^4 - A^8 + 3A^{12} - 2A^{16} + 2A^{20} - A^{24} \right\} \right\}$
- »  $\left\{ 0.484375, \left\{ 50, 1 - \frac{1}{A^{24}} + \frac{1}{A^{20}} - \frac{2}{A^{16}} + \frac{3}{A^{12}} - \frac{1}{A^8} + \frac{1}{A^4} - 2A^4 + A^8 - 3A^{12} + A^{16} - A^{20} \right\} \right\}$
- »  $\left\{ 0.3125, \left\{ 51, \frac{1}{A^{22}} - \frac{1}{A^{18}} + \frac{3}{A^{14}} - \frac{3}{A^{10}} + \frac{2}{A^6} - \frac{2}{A^2} - 2A^2 + A^6 - 3A^{10} + 3A^{14} - 2A^{18} + A^{22} \right\} \right\}$
- »  $\left\{ 0.28125, \left\{ 52, \frac{1}{A^{26}} - \frac{2}{A^{22}} + \frac{3}{A^{18}} - \frac{2}{A^{14}} + \frac{1}{A^{10}} - \frac{1}{A^6} - \frac{2}{A^2} + A^2 - 3A^6 + 2A^{10} - A^{14} + A^{18} \right\} \right\}$
- »  $\left\{ 0.421875, \left\{ 53, 1 - \frac{1}{A^{24}} + \frac{2}{A^{20}} - \frac{4}{A^{16}} + \frac{2}{A^{12}} - \frac{3}{A^8} - 2A^4 + 4A^8 - 2A^{12} + 2A^{16} - A^{20} \right\} \right\}$
- »  $\left\{ 0.328125, \left\{ 54, \frac{1}{A^{26}} - \frac{1}{A^{22}} + \frac{2}{A^{18}} - \frac{2}{A^{14}} + \frac{1}{A^{10}} - \frac{1}{A^6} - \frac{2}{A^2} - 2A^6 + 2A^{10} - A^{14} + A^{18} \right\} \right\}$
- »  $\left\{ 0.3125, \left\{ 55, 1 - \frac{1}{A^{24}} + \frac{1}{A^{20}} - \frac{3}{A^{16}} + \frac{2}{A^{12}} - \frac{3}{A^8} - A^4 + 3A^8 - 2A^{12} + 2A^{16} - A^{20} \right\} \right\}$
- »  $\left\{ 0.265625, \left\{ 56, 1 - \frac{1}{A^{24}} + \frac{2}{A^{20}} - \frac{3}{A^{16}} + \frac{3}{A^{12}} - \frac{1}{A^8} + \frac{1}{A^4} - 3A^4 + 2A^8 - 3A^{12} + A^{16} - A^{20} \right\} \right\}$
- »  $\left\{ 0.390625, \left\{ 57, \frac{1}{A^{22}} - \frac{2}{A^{18}} + \frac{4}{A^{14}} - \frac{3}{A^{10}} + \frac{2}{A^6} - \frac{2}{A^2} - 2A^2 + 2A^6 - 4A^{10} + 3A^{14} - 2A^{18} + A^{22} \right\} \right\}$
- »  $\left\{ 0.28125, \left\{ 58, 1 - \frac{1}{A^{24}} + \frac{1}{A^{20}} - \frac{3}{A^{16}} + \frac{3}{A^{12}} - \frac{2}{A^8} + \frac{1}{A^4} - 2A^4 + 2A^8 - 3A^{12} + 2A^{16} - A^{20} \right\} \right\}$
- »  $\left\{ 0.328125, \left\{ 59, -\frac{1}{A^{24}} + \frac{2}{A^{20}} - \frac{3}{A^{16}} + \frac{4}{A^{12}} - \frac{2}{A^8} - 3A^4 + 3A^8 - 3A^{12} + 2A^{16} - A^{20} \right\} \right\}$

- »  $\left\{ 0.25, \left\{ 60, 1 - \frac{1}{A^{24}} + \frac{3}{A^{20}} - \frac{4}{A^{16}} + \frac{3}{A^{12}} - \frac{3}{A^8} - 3A^4 + 4A^8 - 3A^{12} + 2A^{16} - A^{20} \right\} \right\}$
- »  $\left\{ 0.375, \left\{ 61, -\frac{1}{A^{28}} + \frac{1}{A^{24}} - \frac{1}{A^{20}} + \frac{1}{A^{16}} - \frac{1}{A^{12}} + \frac{1}{A^4} + A^4 - 2A^8 - A^{16} \right\} \right\}$
- »  $\left\{ 0.296875, \left\{ 62, \frac{1}{A^{26}} - \frac{1}{A^{22}} + \frac{2}{A^{18}} - \frac{2}{A^{14}} + \frac{1}{A^{10}} - \frac{1}{A^2} - 3A^6 + A^{10} - A^{14} + A^{18} \right\} \right\}$
- »  $\left\{ 0.5, \left\{ 63, -\frac{1}{A^{24}} + \frac{1}{A^{20}} - \frac{3}{A^{16}} + \frac{2}{A^{12}} - \frac{2}{A^8} - 2A^4 + 3A^8 - A^{12} + 2A^{16} - A^{20} \right\} \right\}$
- »  $\left\{ 0.296875, \left\{ 64, -\frac{1}{A^{24}} + \frac{1}{A^{20}} - \frac{2}{A^{16}} + \frac{3}{A^{12}} - \frac{1}{A^8} - 2A^4 + 2A^8 - 2A^{12} + A^{16} - A^{20} \right\} \right\}$
- »  $\left\{ 0.28125, \left\{ 65, \frac{1}{A^{22}} - \frac{1}{A^{18}} + \frac{3}{A^{14}} - \frac{3}{A^{10}} + \frac{1}{A^6} - \frac{2}{A^2} - A^2 + 2A^6 - 3A^{10} + 2A^{14} - 2A^{18} + A^{22} \right\} \right\}$
- »  $\left\{ 0.265625, \left\{ 66, 2 - \frac{1}{A^{20}} + \frac{1}{A^{16}} - \frac{4}{A^{12}} + \frac{2}{A^8} - \frac{3}{A^4} + A^4 - 2A^8 + 3A^{12} - 3A^{16} + 3A^{20} - A^{24} \right\} \right\}$
- »  $\left\{ 0.296875, \left\{ 67, -\frac{1}{A^{24}} + \frac{1}{A^{20}} - \frac{3}{A^{16}} + \frac{3}{A^{12}} - \frac{2}{A^8} - 2A^4 + 3A^8 - 2A^{12} + 2A^{16} - A^{20} \right\} \right\}$
- »  $\left\{ 0.296875, \left\{ 68, \frac{1}{A^{26}} - \frac{2}{A^{22}} + \frac{2}{A^{18}} - \frac{3}{A^{14}} + \frac{1}{A^{10}} - \frac{1}{A^2} + A^2 - 3A^6 + 2A^{10} - A^{14} + A^{18} \right\} \right\}$
- »  $\left\{ 0.28125, \left\{ 69, \frac{1}{A^{22}} - \frac{2}{A^{18}} + \frac{4}{A^{14}} - \frac{4}{A^{10}} + \frac{2}{A^6} - \frac{2}{A^2} - A^2 + 3A^6 - 4A^{10} + 3A^{14} - 3A^{18} + A^{22} \right\} \right\}$
- »  $\left\{ 0.234375, \left\{ 70, 1 - \frac{1}{A^{24}} + \frac{2}{A^{20}} - \frac{3}{A^{16}} + \frac{3}{A^{12}} - \frac{2}{A^8} - 2A^4 + 3A^8 - 3A^{12} + A^{16} - A^{20} \right\} \right\}$
- »  $\left\{ 0.234375, \left\{ 71, \frac{1}{A^{22}} - \frac{2}{A^{18}} + \frac{3}{A^{14}} - \frac{4}{A^{10}} + \frac{2}{A^6} - \frac{1}{A^2} - A^2 + 2A^6 - 4A^{10} + 3A^{14} - 2A^{18} + A^{22} \right\} \right\}$
- »  $\left\{ 0.484375, \left\{ 72, 1 - \frac{1}{A^{24}} + \frac{3}{A^{20}} - \frac{3}{A^{16}} + \frac{3}{A^{12}} - \frac{2}{A^8} - 3A^4 + 3A^8 - 3A^{12} + A^{16} - A^{20} \right\} \right\}$
- »  $\left\{ 0.28125, \left\{ 73, \frac{1}{A^{22}} - \frac{3}{A^{18}} + \frac{3}{A^{14}} - \frac{4}{A^{10}} + \frac{2}{A^6} - \frac{1}{A^2} - A^2 + 3A^6 - 4A^{10} + 3A^{14} - 2A^{18} + A^{22} \right\} \right\}$
- »  $\left\{ 0.28125, \left\{ 74, 1 - \frac{1}{A^{24}} + \frac{2}{A^{20}} - \frac{3}{A^{16}} + \frac{2}{A^{12}} - \frac{3}{A^8} - \frac{1}{A^4} - A^4 + 4A^8 - 2A^{12} + A^{16} - A^{20} \right\} \right\}$
- »  $\left\{ 0.28125, \left\{ 75, 1 - \frac{1}{A^{20}} + \frac{2}{A^{16}} - \frac{3}{A^{12}} + \frac{4}{A^8} - \frac{2}{A^4} - A^4 - 4A^8 + 3A^{12} - 3A^{16} + 3A^{20} - A^{24} \right\} \right\}$
- »  $\left\{ 0.265625, \left\{ 76, 2 - \frac{1}{A^{24}} + \frac{2}{A^{20}} - \frac{3}{A^{16}} + \frac{2}{A^{12}} - \frac{1}{A^8} + \frac{1}{A^4} - 2A^4 + 2A^8 - 3A^{12} - A^{20} \right\} \right\}$
- »  $\left\{ 0.28125, \left\{ 77, \frac{1}{A^{22}} - \frac{2}{A^{18}} + \frac{3}{A^{14}} - \frac{2}{A^{10}} + \frac{2}{A^6} - \frac{1}{A^2} - 2A^2 + A^6 - 4A^{10} + 2A^{14} - A^{18} + A^{22} \right\} \right\}$
- »  $\left\{ 0.234375, \left\{ 78, -\frac{1}{A^{20}} + \frac{2}{A^{16}} - \frac{3}{A^{12}} + \frac{2}{A^8} - \frac{3}{A^4} - 2A^8 + 4A^{12} - 2A^{16} + 2A^{20} - A^{24} \right\} \right\}$
- »  $\left\{ 0.28125, \left\{ 79, \frac{1}{A^{22}} - \frac{1}{A^{18}} + \frac{3}{A^{14}} - \frac{3}{A^{10}} + \frac{1}{A^6} - \frac{2}{A^2} - 2A^2 + A^6 - 3A^{10} + 3A^{14} - A^{18} + A^{22} \right\} \right\}$
- »  $\left\{ 0.234375, \left\{ 80, 1 - \frac{1}{A^{20}} + \frac{1}{A^{16}} - \frac{4}{A^{12}} + \frac{2}{A^8} - \frac{3}{A^4} + A^4 - A^8 + 4A^{12} - 3A^{16} + 2A^{20} - A^{24} \right\} \right\}$

- »  $\left\{0.25, \left\{81, \frac{1}{A^{22}} - \frac{2}{A^{18}} + \frac{4}{A^{14}} - \frac{4}{A^{10}} + \frac{2}{A^6} - \frac{2}{A^2} - 2A^2 + 2A^6 - 4A^{10} + 4A^{14} - 2A^{18} + A^{22}\right\}\right\}$
- »  $\left\{0.390625, \left\{82, -\frac{1}{A^{20}} + \frac{2}{A^{16}} - \frac{2}{A^{12}} + \frac{2}{A^8} - \frac{3}{A^4} - 2A^8 + 3A^{12} - 2A^{16} + 2A^{20} - A^{24}\right\}\right\}$
- »  $\left\{0.265625, \left\{83, \frac{1}{A^{22}} - \frac{2}{A^{18}} + \frac{3}{A^{14}} - \frac{4}{A^{10}} + \frac{3}{A^6} - \frac{1}{A^2} - A^2 + 2A^6 - 4A^{10} + 3A^{14} - 3A^{18} + A^{22}\right\}\right\}$
- »  $\left\{0.28125, \left\{84, \frac{1}{A^{22}} - \frac{3}{A^{18}} + \frac{4}{A^{14}} - \frac{3}{A^{10}} + \frac{3}{A^6} - \frac{1}{A^2} - 2A^2 + 2A^6 - 5A^{10} + 3A^{14} - 2A^{18} + A^{22}\right\}\right\}$
- »  $\left\{0.265625, \left\{85, \frac{1}{A^{18}} - \frac{2}{A^{14}} + \frac{1}{A^{10}} - \frac{3}{A^6} + \frac{1}{A^2} - A^2 + 2A^{10} - 2A^{14} + 2A^{18} - 2A^{22} + A^{26}\right\}\right\}$
- »  $\left\{0.265625, \left\{86, 1 - \frac{1}{A^{20}} + \frac{2}{A^{16}} - \frac{3}{A^{12}} + \frac{4}{A^8} - \frac{3}{A^4} - 3A^8 + 3A^{12} - 4A^{16} + 3A^{20} - A^{24}\right\}\right\}$
- »  $\left\{0.234375, \left\{87, -\frac{1}{A^{20}} + \frac{3}{A^{16}} - \frac{3}{A^{12}} + \frac{3}{A^8} - \frac{3}{A^4} - 3A^8 + 4A^{12} - 3A^{16} + 2A^{20} - A^{24}\right\}\right\}$
- »  $\left\{0.265625, \left\{88, \frac{1}{A^{22}} - \frac{3}{A^{18}} + \frac{4}{A^{14}} - \frac{5}{A^{10}} + \frac{3}{A^6} - \frac{1}{A^2} - A^2 + 3A^6 - 5A^{10} + 4A^{14} - 3A^{18} + A^{22}\right\}\right\}$
- »  $\left\{0.28125, \left\{89, \frac{1}{A^{22}} - \frac{4}{A^{18}} + \frac{4}{A^{14}} - \frac{4}{A^{10}} + \frac{3}{A^6} - \frac{1}{A^2} - 2A^2 + 3A^6 - 5A^{10} + 4A^{14} - 2A^{18} + A^{22}\right\}\right\}$
- »  $\left\{0.25, \left\{90, 1 - \frac{1}{A^{20}} + \frac{2}{A^{16}} - \frac{3}{A^{12}} + \frac{3}{A^8} - \frac{3}{A^4} + A^4 - 2A^8 + 3A^{12} - 4A^{16} + 2A^{20} - A^{24}\right\}\right\}$
- »  $\left\{0.265625, \left\{91, \frac{1}{A^{22}} - \frac{2}{A^{18}} + \frac{3}{A^{14}} - \frac{3}{A^{10}} + \frac{2}{A^6} - \frac{2}{A^2} - 2A^2 + 2A^6 - 3A^{10} + 3A^{14} - 2A^{18} + A^{22}\right\}\right\}$
- »  $\left\{0.40625, \left\{92, 1 - \frac{1}{A^{24}} + \frac{3}{A^{20}} - \frac{4}{A^{16}} + \frac{4}{A^{12}} - \frac{2}{A^8} + \frac{1}{A^4} - 4A^4 + 3A^8 - 4A^{12} + 2A^{16} - A^{20}\right\}\right\}$
- »  $\left\{0.28125, \left\{93, \frac{1}{A^{18}} - \frac{2}{A^{14}} + \frac{2}{A^{10}} - \frac{3}{A^6} + \frac{2}{A^2} - A^2 - A^6 + A^{10} - 3A^{14} + 3A^{18} - 2A^{22} + A^{26}\right\}\right\}$
- »  $\left\{0.25, \left\{94, 1 - \frac{1}{A^{24}} + \frac{2}{A^{20}} - \frac{3}{A^{16}} + \frac{3}{A^{12}} - \frac{2}{A^8} + \frac{1}{A^4} - 3A^4 + 2A^8 - 3A^{12} + 2A^{16} - A^{20}\right\}\right\}$
- »  $\left\{0.265625, \left\{95, \frac{1}{A^{22}} - \frac{2}{A^{18}} + \frac{4}{A^{14}} - \frac{4}{A^{10}} + \frac{3}{A^6} - \frac{2}{A^2} - 2A^2 + 2A^6 - 4A^{10} + 4A^{14} - 3A^{18} + A^{22}\right\}\right\}$
- »  $\left\{0.28125, \left\{96, 2 - \frac{1}{A^{20}} + \frac{2}{A^{16}} - \frac{4}{A^{12}} + \frac{4}{A^8} - \frac{3}{A^4} + A^4 - 3A^8 + 3A^{12} - 5A^{16} + 3A^{20} - A^{24}\right\}\right\}$
- »  $\left\{0.328125, \left\{97, -\frac{1}{A^{20}} + \frac{3}{A^{16}} - \frac{3}{A^{12}} + \frac{4}{A^8} - \frac{3}{A^4} - 3A^8 + 4A^{12} - 4A^{16} + 2A^{20} - A^{24}\right\}\right\}$
- »  $\left\{0.296875, \left\{98, 1 - \frac{1}{A^{20}} + \frac{2}{A^{16}} - \frac{4}{A^{12}} + \frac{2}{A^8} - \frac{4}{A^4} + 2A^4 - A^8 + 4A^{12} - 4A^{16} + 2A^{20} - A^{24}\right\}\right\}$
- »  $\left\{0.296875, \left\{99, \frac{1}{A^{22}} - \frac{2}{A^{18}} + \frac{4}{A^{14}} - \frac{3}{A^{10}} + \frac{2}{A^6} - \frac{3}{A^2} - 3A^2 + 2A^6 - 3A^{10} + 4A^{14} - 2A^{18} + A^{22}\right\}\right\}$
- »  $\left\{0.3125, \left\{100, \frac{1}{A^{18}} - \frac{2}{A^{14}} + \frac{2}{A^{10}} - \frac{3}{A^6} + \frac{1}{A^2} - 2A^2 - A^6 + 2A^{10} - 2A^{14} + 3A^{18} - 2A^{22} + A^{26}\right\}\right\}$
- »  $\left\{0.28125, \left\{101, 1 - \frac{1}{A^{20}} + \frac{3}{A^{16}} - \frac{3}{A^{12}} + \frac{4}{A^8} - \frac{2}{A^4} - 4A^8 + 3A^{12} - 4A^{16} + 2A^{20} - A^{24}\right\}\right\}$

- »  $\left\{ 0.28125, \left\{ 102, 1 - \frac{1}{A^{20}} + \frac{2}{A^{16}} - \frac{3}{A^{12}} + \frac{3}{A^8} - \frac{2}{A^4} - 3A^8 + 3A^{12} - 3A^{16} + 2A^{20} - A^{24} \right\} \right\}$
- »  $\left\{ 0.265625, \left\{ 103, \frac{1}{A^{22}} - \frac{2}{A^{18}} + \frac{3}{A^{14}} - \frac{4}{A^{10}} + \frac{1}{A^6} - \frac{2}{A^2} - A^2 + 3A^6 - 3A^{10} + 3A^{14} - 2A^{18} + A^{22} \right\} \right\}$
- »  $\left\{ 0.28125, \left\{ 104, \frac{1}{A^{22}} - \frac{2}{A^{18}} + \frac{3}{A^{14}} - \frac{4}{A^{10}} + \frac{2}{A^6} - \frac{1}{A^2} - A^2 + 2A^6 - 4A^{10} + 3A^{14} - 2A^{18} + A^{22} \right\} \right\}$
- »  $\left\{ 0.265625, \left\{ 105, 1 - \frac{1}{A^{24}} + \frac{3}{A^{20}} - \frac{4}{A^{16}} + \frac{4}{A^{12}} - \frac{3}{A^8} - 3A^4 + 4A^8 - 4A^{12} + 2A^{16} - A^{20} \right\} \right\}$
- »  $\left\{ 0.265625, \left\{ 106, -\frac{1}{A^{24}} + \frac{2}{A^{20}} - \frac{3}{A^{16}} + \frac{4}{A^{12}} - \frac{2}{A^8} - 3A^4 + 3A^8 - 3A^{12} + 2A^{16} - A^{20} \right\} \right\}$
- »  $\left\{ 0.265625, \left\{ 107, \frac{1}{A^{22}} - \frac{2}{A^{18}} + \frac{4}{A^{14}} - \frac{5}{A^{10}} + \frac{2}{A^6} - \frac{2}{A^2} - A^2 + 3A^6 - 4A^{10} + 4A^{14} - 3A^{18} + A^{22} \right\} \right\}$
- »  $\left\{ 0.296875, \left\{ 108, \frac{1}{A^{26}} - \frac{2}{A^{22}} + \frac{2}{A^{18}} - \frac{3}{A^{14}} + \frac{2}{A^{10}} - \frac{1}{A^2} + A^2 - 3A^6 + 2A^{10} - 2A^{14} + A^{18} \right\} \right\}$
- »  $\left\{ 0.265625, \left\{ 109, \frac{1}{A^{22}} - \frac{2}{A^{18}} + \frac{4}{A^{14}} - \frac{4}{A^{10}} + \frac{2}{A^6} - \frac{2}{A^2} - 2A^2 + 2A^6 - 4A^{10} + 4A^{14} - 2A^{18} + A^{22} \right\} \right\}$
- »  $\left\{ 0.296875, \left\{ 110, 1 - \frac{1}{A^{20}} + \frac{2}{A^{16}} - \frac{4}{A^{12}} + \frac{3}{A^8} - \frac{3}{A^4} + A^4 - 2A^8 + 4A^{12} - 4A^{16} + 2A^{20} - A^{24} \right\} \right\}$
- »  $\left\{ 0.28125, \left\{ 111, 1 - \frac{1}{A^{24}} + \frac{2}{A^{20}} - \frac{3}{A^{16}} + \frac{4}{A^{12}} - \frac{2}{A^8} + \frac{1}{A^4} - 3A^4 + 2A^8 - 4A^{12} + 2A^{16} - A^{20} \right\} \right\}$
- »  $\left\{ 0.25, \left\{ 112, -\frac{1}{A^{20}} + \frac{3}{A^{16}} - \frac{3}{A^{12}} + \frac{3}{A^8} - \frac{4}{A^4} - 3A^8 + 4A^{12} - 3A^{16} + 3A^{20} - A^{24} \right\} \right\}$
- »  $\left\{ 0.265625, \left\{ 113, \frac{1}{A^{22}} - \frac{4}{A^{18}} + \frac{5}{A^{14}} - \frac{4}{A^{10}} + \frac{4}{A^6} - \frac{1}{A^2} - 2A^2 + 3A^6 - 6A^{10} + 4A^{14} - 3A^{18} + A^{22} \right\} \right\}$
- »  $\left\{ 0.34375, \left\{ 114, -\frac{1}{A^{24}} + \frac{3}{A^{20}} - \frac{4}{A^{16}} + \frac{4}{A^{12}} - \frac{3}{A^8} - 4A^4 + 4A^8 - 3A^{12} + 3A^{16} - A^{20} \right\} \right\}$
- »  $\left\{ 0.375, \left\{ 115, \frac{1}{A^{22}} - \frac{3}{A^{18}} + \frac{5}{A^{14}} - \frac{5}{A^{10}} + \frac{3}{A^6} - \frac{2}{A^2} - 2A^2 + 3A^6 - 5A^{10} + 5A^{14} - 3A^{18} + A^{22} \right\} \right\}$
- »  $\left\{ 0.234375, \left\{ 116, 1 - \frac{1}{A^{20}} + \frac{3}{A^{16}} - \frac{4}{A^{12}} + \frac{3}{A^8} - \frac{4}{A^4} + A^4 - 3A^8 + 4A^{12} - 4A^{16} + 3A^{20} - A^{24} \right\} \right\}$
- »  $\left\{ 0.40625, \left\{ 117, \frac{1}{A^{22}} - \frac{3}{A^{18}} + \frac{5}{A^{14}} - \frac{4}{A^{10}} + \frac{3}{A^6} - \frac{2}{A^2} - 2A^2 + 3A^6 - 5A^{10} + 4A^{14} - 3A^{18} + A^{22} \right\} \right\}$
- »  $\left\{ 0.40625, \left\{ 118, \frac{1}{A^{22}} - \frac{3}{A^{18}} + \frac{4}{A^{14}} - \frac{4}{A^{10}} + \frac{3}{A^6} - \frac{2}{A^2} - 2A^2 + 3A^6 - 4A^{10} + 4A^{14} - 3A^{18} + A^{22} \right\} \right\}$
- »  $\left\{ 0.265625, \left\{ 119, 1 - \frac{1}{A^{20}} + \frac{3}{A^{16}} - \frac{4}{A^{12}} + \frac{4}{A^8} - \frac{4}{A^4} + A^4 - 3A^8 + 4A^{12} - 5A^{16} + 3A^{20} - A^{24} \right\} \right\}$
- »  $\left\{ 0.25, \left\{ 120, 2 - \frac{1}{A^{24}} + \frac{3}{A^{20}} - \frac{6}{A^{16}} + \frac{3}{A^{12}} - \frac{4}{A^8} + \frac{1}{A^4} - 3A^4 + 5A^8 - 4A^{12} + 3A^{16} - A^{20} \right\} \right\}$
- »  $\left\{ 0.265625, \left\{ 121, \frac{1}{A^{22}} - \frac{4}{A^{18}} + \frac{5}{A^{14}} - \frac{5}{A^{10}} + \frac{3}{A^6} - \frac{2}{A^2} - 2A^2 + 4A^6 - 5A^{10} + 5A^{14} - 3A^{18} + A^{22} \right\} \right\}$
- »  $\left\{ 0.265625, \left\{ 122, -\frac{1}{A^{20}} + \frac{4}{A^{16}} - \frac{4}{A^{12}} + \frac{4}{A^8} - \frac{4}{A^4} - 4A^8 + 5A^{12} - 4A^{16} + 3A^{20} - A^{24} \right\} \right\}$



- »  $\left\{0.265625, \left\{123, \frac{1}{A^{22}} - \frac{4}{A^{18}} + \frac{5}{A^{14}} - \frac{5}{A^{10}} + \frac{4}{A^6} - \frac{2}{A^2} - 2A^2 + 4A^6 - 5A^{10} + 5A^{14} - 4A^{18} + A^{22}\right\}\right\}$
- »  $\left\{0.3125, \left\{124, \frac{1}{A^{12}} + \frac{1}{A^8} - A^4 - A^8 - A^{12} - A^{16}\right\}\right\}$
- »  $\left\{0.265625, \left\{125, \frac{1}{A^{18}} - \frac{1}{A^6} - \frac{1}{A^2} - A^2 - A^6 + A^{18}\right\}\right\}$
- »  $\left\{0.28125, \left\{126, \frac{1}{A^{14}} - \frac{1}{A^{10}} - \frac{2}{A^2} - A^2 - A^{10} + A^{14} + A^{22}\right\}\right\}$
- »  $\left\{0.265625, \left\{127, 1 - \frac{2}{A^{12}} - \frac{2}{A^4} + 2A^{12} - A^{16} + A^{20} - A^{24}\right\}\right\}$
- »  $\left\{0.3125, \left\{128, \frac{1}{A^{12}} + \frac{1}{A^4} - A^4 - A^8 - A^{12} - A^{20}\right\}\right\}$
- »  $\left\{0.296875, \left\{129, \frac{1}{A^{14}} - \frac{1}{A^{10}} + \frac{1}{A^6} - \frac{2}{A^2} - A^2 - A^{10} + A^{14} - A^{18} + A^{22}\right\}\right\}$
- »  $\left\{0.296875, \left\{130, \frac{1}{A^{18}} - \frac{1}{A^{14}} - \frac{1}{A^6} - \frac{1}{A^2} - A^2 - A^6 + A^{10} + A^{18}\right\}\right\}$
- »  $\left\{0.296875, \left\{131, -\frac{2}{A^{16}} + \frac{1}{A^{12}} - \frac{2}{A^8} + 2A^8 - A^{12} + A^{16} - A^{20}\right\}\right\}$
- »  $\left\{0.265625, \left\{132, -\frac{1}{A^6} - \frac{1}{A^2} - A^2 + A^{18}\right\}\right\}$
- »  $\left\{0.296875, \left\{133, -\frac{1}{A^{16}} - \frac{2}{A^8} + A^8 + A^{16} - A^{20}\right\}\right\}$
- »  $\left\{0.515625, \left\{134, -\frac{1}{A^{16}} + \frac{2}{A^{12}} + \frac{1}{A^4} - A^4 - 2A^{12} - A^{20}\right\}\right\}$
- »  $\left\{0.75, \left\{135, \frac{2}{A^{14}} - \frac{2}{A^{10}} + \frac{1}{A^6} - \frac{2}{A^2} - A^2 - 2A^{10} + 2A^{14} - A^{18} + A^{22}\right\}\right\}$
- »  $\left\{0.421875, \left\{136, -1 + \frac{1}{A^{12}} - \frac{1}{A^8} - A^4 + A^{16} - A^{20}\right\}\right\}$
- »  $\left\{0.53125, \left\{137, -\frac{1}{A^{16}} + \frac{1}{A^{12}} - \frac{2}{A^8} + A^8 - A^{12} + A^{16} - A^{20}\right\}\right\}$
- »  $\left\{0.296875, \left\{138, -\frac{2}{A^{16}} + \frac{2}{A^{12}} - \frac{1}{A^8} + \frac{1}{A^4} - A^4 + A^8 - 2A^{12} + A^{16} - A^{20}\right\}\right\}$
- »  $\left\{0.34375, \left\{139, 1 + \frac{1}{A^{20}} - A^4 - A^8 - A^{12} - A^{16}\right\}\right\}$
- »  $\left\{0.3125, \left\{140, -\frac{1}{A^{14}} - A^2 - A^6 + A^{18}\right\}\right\}$
- »  $\left\{0.3125, \left\{141, -1 - \frac{1}{A^{16}} + \frac{1}{A^{12}} - \frac{1}{A^8} - A^4 + A^8 + A^{16} - A^{20}\right\}\right\}$
- »  $\left\{0.28125, \left\{142, -1 + \frac{2}{A^{12}} - A^4 - A^{12} - A^{20}\right\}\right\}$
- »  $\left\{0.5625, \left\{143, \frac{1}{A^{14}} - \frac{2}{A^{10}} - \frac{2}{A^2} + A^6 - A^{10} + A^{14} - A^{18} + A^{22}\right\}\right\}$

- »  $\left\{ 0.28125, \left\{ 144, 2 - \frac{2}{A^{12}} + \frac{1}{A^8} - \frac{2}{A^4} - A^8 + A^{12} - 2A^{16} + 2A^{20} - A^{24} \right\} \right\}$
- »  $\left\{ 0.28125, \left\{ 145, -\frac{1}{A^{18}} - \frac{1}{A^{14}} - A^2 + A^{18} \right\} \right\}$
- »  $\left\{ 0.25, \left\{ 146, \frac{1}{A^{14}} - \frac{2}{A^{10}} + \frac{1}{A^6} - \frac{2}{A^2} + A^6 - A^{10} + A^{14} - 2A^{18} + A^{22} \right\} \right\}$
- »  $\left\{ 0.421875, \left\{ 147, -1 - \frac{1}{A^{16}} + \frac{2}{A^{12}} - \frac{1}{A^8} - A^4 + A^8 - A^{12} + A^{16} - A^{20} \right\} \right\}$
- »  $\left\{ 0.59375, \left\{ 148, \frac{1}{A^{14}} - \frac{2}{A^{10}} + \frac{1}{A^6} - \frac{2}{A^2} - A^2 - A^{10} + 2A^{14} - A^{18} + A^{22} \right\} \right\}$
- »  $\left\{ 0.453125, \left\{ 149, 1 - \frac{2}{A^{12}} + \frac{1}{A^8} - \frac{3}{A^4} + 2A^{12} - 2A^{16} + 2A^{20} - A^{24} \right\} \right\}$
- »  $\left\{ 0.96875, \left\{ 150, -\frac{1}{A^{16}} + \frac{2}{A^{12}} - \frac{1}{A^8} + \frac{1}{A^4} - A^4 - 2A^{12} + A^{16} - A^{20} \right\} \right\}$
- »  $\left\{ 0.5625, \left\{ 151, \frac{2}{A^{14}} - \frac{2}{A^{10}} + \frac{2}{A^6} - \frac{2}{A^2} - A^2 - 2A^{10} + 2A^{14} - 2A^{18} + A^{22} \right\} \right\}$
- »  $\left\{ 0.65625, \left\{ 152, 1 - \frac{1}{A^{16}} - \frac{1}{A^{12}} - \frac{1}{A^8} - \frac{2}{A^4} + A^8 + A^{12} + A^{20} - A^{24} \right\} \right\}$
- »  $\left\{ 0.546875, \left\{ 153, \frac{1}{A^{18}} - \frac{2}{A^2} - A^2 - A^6 + A^{22} \right\} \right\}$
- »  $\left\{ 0.546875, \left\{ 154, -\frac{1}{A^{20}} + \frac{1}{A^{16}} + \frac{1}{A^8} + \frac{1}{A^4} - 2A^8 - A^{16} - A^{20} \right\} \right\}$
- »  $\left\{ 0.4375, \left\{ 155, -\frac{1}{A^{20}} + \frac{1}{A^{16}} - \frac{1}{A^{12}} + \frac{1}{A^8} - 2A^8 + A^{12} - A^{16} \right\} \right\}$
- »  $\left\{ 0.3125, \left\{ 156, \frac{1}{A^{22}} - \frac{2}{A^{18}} + \frac{1}{A^{14}} - \frac{2}{A^{10}} - A^2 + 2A^6 - 2A^{10} + A^{14} \right\} \right\}$
- »  $\left\{ 0.515625, \left\{ 157, 1 - \frac{1}{A^{24}} + \frac{3}{A^{20}} - \frac{2}{A^{16}} + \frac{2}{A^{12}} - \frac{1}{A^8} - \frac{1}{A^4} - 3A^4 + 2A^8 - 2A^{12} \right\} \right\}$
- »  $\left\{ 0.609375, \left\{ 158, 2 - \frac{2}{A^{12}} + \frac{2}{A^8} - \frac{2}{A^4} - A^8 + A^{12} - 3A^{16} + 2A^{20} - A^{24} \right\} \right\}$
- »  $\left\{ 0.6875, \left\{ 159, \frac{1}{A^{14}} - \frac{3}{A^{10}} + \frac{1}{A^6} - \frac{2}{A^2} + A^6 - A^{10} + 2A^{14} - 2A^{18} + A^{22} \right\} \right\}$
- »  $\left\{ 0.59375, \left\{ 160, -1 + \frac{2}{A^{12}} - \frac{1}{A^8} - A^4 - A^{12} + A^{16} - A^{20} \right\} \right\}$
- »  $\left\{ 0.40625, \left\{ 161, -\frac{1}{A^{20}} - \frac{1}{A^{16}} - \frac{1}{A^8} + A^{16} \right\} \right\}$
- »  $\left\{ 1., \left\{ 162, 1 - \frac{2}{A^{12}} + \frac{1}{A^8} - \frac{2}{A^4} + 2A^{12} - 2A^{16} + A^{20} - A^{24} \right\} \right\}$
- »  $\left\{ 0.625, \left\{ 163, \frac{2}{A^{14}} - \frac{3}{A^{10}} + \frac{2}{A^6} - \frac{2}{A^2} + A^6 - 2A^{10} + 2A^{14} - 3A^{18} + A^{22} \right\} \right\}$
- »  $\left\{ 0.484375, \left\{ 164, \frac{2}{A^{14}} - \frac{3}{A^{10}} + \frac{1}{A^6} - \frac{2}{A^2} + A^6 - 2A^{10} + 2A^{14} - 2A^{18} + A^{22} \right\} \right\}$

$$\begin{aligned}
 & \gg \left\{ \emptyset.40625, \left\{ 165, -1 - \frac{1}{A^{20}} + \frac{2}{A^{16}} - \frac{1}{A^{12}} + \frac{2}{A^8} - \frac{1}{A^4} - 2A^8 + 2A^{12} - 2A^{16} \right\} \right\} \\
 \text{Out[ ]:=} & \left\{ \left\{ \emptyset.3125, \left\{ 1, -\frac{1}{A^{28}} - \frac{1}{A^{20}} + A^4 - A^{16} \right\} \right\}, \left\{ \emptyset.3125, \left\{ 2, -1 - \frac{1}{A^{16}} - \frac{1}{A^8} + A^{16} + A^{24} - A^{28} \right\} \right\}, \right. \\
 & \left\{ \emptyset.3125, \left\{ 3, 1 - \frac{1}{A^{24}} - \frac{1}{A^{16}} + \frac{1}{A^{12}} - \frac{1}{A^8} + A^8 - A^{12} - A^{20} \right\} \right\}, \\
 & \left\{ \emptyset.4375, \left\{ 4, -\frac{1}{A^{16}} - \frac{1}{A^8} + \frac{1}{A^4} + A^4 - A^{12} - A^{20} + A^{24} - A^{28} \right\} \right\}, \\
 & \left\{ \emptyset.3125, \left\{ 5, \frac{1}{A^{26}} - \frac{1}{A^{22}} + \frac{1}{A^{18}} - \frac{1}{A^{14}} + \frac{1}{A^{10}} - \frac{1}{A^2} - 2A^6 - A^{14} + A^{18} \right\} \right\}, \\
 & \left\{ \emptyset.28125, \left\{ 6, 1 - \frac{1}{A^{20}} - \frac{2}{A^{12}} + \frac{1}{A^8} - \frac{1}{A^4} - A^8 + 2A^{12} - A^{16} + A^{20} - A^{24} \right\} \right\}, \\
 & \left\{ \emptyset.28125, \left\{ 7, 1 - \frac{1}{A^{24}} + \frac{1}{A^{20}} - \frac{2}{A^{16}} + \frac{1}{A^{12}} - \frac{2}{A^8} - A^4 + 2A^8 - A^{12} + A^{16} - A^{20} \right\} \right\}, \\
 & \left\{ \emptyset.328125, \left\{ 8, -1 - \frac{1}{A^{16}} - \frac{1}{A^8} + \frac{1}{A^4} + A^{16} - A^{20} + A^{24} - A^{28} \right\} \right\}, \\
 & \left\{ \emptyset.28125, \left\{ 9, -\frac{1}{A^{24}} + \frac{1}{A^{20}} - \frac{1}{A^{16}} + \frac{2}{A^{12}} - \frac{1}{A^8} - 2A^4 + A^8 - A^{12} + A^{16} - A^{20} \right\} \right\}, \\
 & \left\{ \emptyset.375, \left\{ 10, \frac{1}{A^{18}} - \frac{1}{A^{14}} + \frac{1}{A^{10}} - \frac{2}{A^6} + \frac{1}{A^2} - A^2 + A^{10} - 2A^{14} + A^{18} - 2A^{22} + A^{26} \right\} \right\}, \\
 & \left\{ \emptyset.265625, \left\{ 11, 1 - \frac{1}{A^{20}} - \frac{2}{A^{12}} + \frac{2}{A^8} - \frac{1}{A^4} - A^8 + 2A^{12} - 2A^{16} + A^{20} - A^{24} \right\} \right\}, \\
 & \left\{ \emptyset.453125, \left\{ 12, \frac{1}{A^{22}} - \frac{1}{A^{18}} + \frac{2}{A^{14}} - \frac{2}{A^{10}} + \frac{1}{A^6} - \frac{1}{A^2} - A^2 + A^6 - 3A^{10} + A^{14} - A^{18} + A^{22} \right\} \right\}, \\
 & \left\{ \emptyset.21875, \left\{ 13, 1 - \frac{1}{A^{24}} + \frac{1}{A^{20}} - \frac{3}{A^{16}} + \frac{2}{A^{12}} - \frac{1}{A^8} + \frac{1}{A^4} - 2A^4 + 2A^8 - 2A^{12} + A^{16} - A^{20} \right\} \right\}, \\
 & \left\{ \emptyset.28125, \left\{ 14, -\frac{1}{A^{20}} + \frac{1}{A^{16}} - \frac{2}{A^{12}} + \frac{2}{A^8} - \frac{3}{A^4} - A^8 + 3A^{12} - 2A^{16} + 2A^{20} - A^{24} \right\} \right\}, \\
 & \left\{ \emptyset.28125, \left\{ 15, \frac{1}{A^{26}} - \frac{1}{A^{22}} + \frac{2}{A^{18}} - \frac{2}{A^{14}} - \frac{1}{A^6} - \frac{1}{A^2} + A^2 - 2A^6 + A^{10} - A^{14} + A^{18} \right\} \right\}, \\
 & \left\{ \emptyset.3125, \left\{ 16, 1 - \frac{1}{A^{24}} + \frac{1}{A^{20}} - \frac{2}{A^{16}} + \frac{2}{A^{12}} - \frac{1}{A^8} + \frac{1}{A^4} - 2A^4 + A^8 - 2A^{12} + A^{16} - A^{20} \right\} \right\}, \\
 & \left\{ \emptyset.46875, \left\{ 17, \frac{1}{A^{22}} - \frac{1}{A^{18}} + \frac{1}{A^{14}} - \frac{2}{A^{10}} + \frac{1}{A^6} - \frac{1}{A^2} - A^2 + A^6 - 2A^{10} + A^{14} - A^{18} + A^{22} \right\} \right\}, \\
 & \left\{ \emptyset.28125, \left\{ 18, 1 - \frac{1}{A^{20}} + \frac{1}{A^{16}} - \frac{2}{A^{12}} + \frac{2}{A^8} - \frac{2}{A^4} - 2A^8 + 2A^{12} - 2A^{16} + 2A^{20} - A^{24} \right\} \right\}, \\
 & \left\{ \emptyset.3125, \left\{ 19, \frac{1}{A^{18}} - \frac{1}{A^{14}} + \frac{1}{A^{10}} - \frac{3}{A^6} + \frac{1}{A^2} - A^2 + A^{10} - 2A^{14} + 2A^{18} - 2A^{22} + A^{26} \right\} \right\}, \\
 & \left\{ \emptyset.234375, \left\{ 20, 1 - \frac{1}{A^{24}} - \frac{2}{A^{16}} + \frac{1}{A^{12}} - \frac{1}{A^8} + \frac{1}{A^4} - A^4 + A^8 - A^{12} + A^{16} - A^{20} \right\} \right\}, \\
 & \left\{ \emptyset.484375, \left\{ 21, -\frac{1}{A^{20}} + \frac{1}{A^{16}} - \frac{2}{A^{12}} + \frac{1}{A^8} - \frac{2}{A^4} - A^8 + 3A^{12} - A^{16} + A^{20} - A^{24} \right\} \right\},
 \end{aligned}$$

$$\left\{ \emptyset.3125, \left\{ 22, 1 - \frac{1}{A^{20}} + \frac{1}{A^{16}} - \frac{2}{A^{12}} + \frac{2}{A^8} - \frac{1}{A^4} - 2A^8 + 2A^{12} - 2A^{16} + A^{20} - A^{24} \right\} \right\},$$

$$\left\{ \emptyset.265625, \left\{ 23, \frac{1}{A^{22}} - \frac{1}{A^{18}} + \frac{2}{A^{14}} - \frac{3}{A^{10}} + \frac{2}{A^6} - \frac{1}{A^2} - A^2 + A^6 - 3A^{10} + 2A^{14} - 2A^{18} + A^{22} \right\} \right\},$$

$$\left\{ \emptyset.296875, \left\{ 24, 1 - \frac{1}{A^{24}} + \frac{1}{A^{20}} - \frac{3}{A^{16}} + \frac{2}{A^{12}} - \frac{2}{A^8} - A^4 + 3A^8 - 2A^{12} + A^{16} - A^{20} \right\} \right\},$$

$$\left\{ \emptyset.34375, \left\{ 25, 1 - \frac{1}{A^{20}} + \frac{1}{A^{16}} - \frac{3}{A^{12}} + \frac{2}{A^8} - \frac{3}{A^4} + A^4 - A^8 + 3A^{12} - 3A^{16} + 2A^{20} - A^{24} \right\} \right\},$$

$$\left\{ \emptyset.296875, \left\{ 26, 1 - \frac{1}{A^{20}} + \frac{1}{A^{16}} - \frac{2}{A^{12}} + \frac{3}{A^8} - \frac{2}{A^4} - 2A^8 + 2A^{12} - 3A^{16} + 2A^{20} - A^{24} \right\} \right\},$$

$$\left\{ \emptyset.3125, \left\{ 27, \frac{1}{A^{22}} - \frac{2}{A^{18}} + \frac{2}{A^{14}} - \frac{4}{A^{10}} + \frac{2}{A^6} - \frac{1}{A^2} - A^2 + 2A^6 - 3A^{10} + 3A^{14} - 2A^{18} + A^{22} \right\} \right\},$$

$$\left\{ \emptyset.296875, \left\{ 28, \frac{1}{A^{18}} - \frac{1}{A^{14}} + \frac{2}{A^{10}} - \frac{2}{A^6} + \frac{1}{A^2} - 2A^2 - A^6 + A^{10} - 2A^{14} + 2A^{18} - 2A^{22} + A^{26} \right\} \right\},$$

$$\left\{ \emptyset.28125, \left\{ 29, 2 - \frac{1}{A^{20}} + \frac{1}{A^{16}} - \frac{3}{A^{12}} + \frac{2}{A^8} - \frac{2}{A^4} + A^4 - 2A^8 + 2A^{12} - 3A^{16} + 2A^{20} - A^{24} \right\} \right\},$$

$$\left\{ \emptyset.28125, \left\{ 30, 1 - \frac{1}{A^{24}} + \frac{2}{A^{20}} - \frac{3}{A^{16}} + \frac{2}{A^{12}} - \frac{3}{A^8} - 2A^4 + 3A^8 - 2A^{12} + 2A^{16} - A^{20} \right\} \right\},$$

$$\left\{ \emptyset.3125, \left\{ 31, \frac{1}{A^{22}} - \frac{1}{A^{18}} + \frac{2}{A^{14}} - \frac{3}{A^{10}} + \frac{1}{A^6} - \frac{2}{A^2} - A^2 + 2A^6 - 2A^{10} + 2A^{14} - 2A^{18} + A^{22} \right\} \right\},$$

$$\left\{ \emptyset.3125, \left\{ 32, -\frac{1}{A^{24}} + \frac{2}{A^{20}} - \frac{3}{A^{16}} + \frac{3}{A^{12}} - \frac{2}{A^8} - 3A^4 + 3A^8 - 2A^{12} + 2A^{16} - A^{20} \right\} \right\},$$

$$\left\{ \emptyset.5, \left\{ 33, \frac{1}{A^{22}} - \frac{2}{A^{18}} + \frac{2}{A^{14}} - \frac{3}{A^{10}} + \frac{2}{A^6} - \frac{1}{A^2} - A^2 + 2A^6 - 3A^{10} + 2A^{14} - 2A^{18} + A^{22} \right\} \right\},$$

$$\left\{ \emptyset.296875, \left\{ 34, \frac{1}{A^{18}} - \frac{1}{A^{14}} + \frac{1}{A^{10}} - \frac{1}{A^6} + \frac{1}{A^2} - A^2 - A^6 - 2A^{14} + A^{18} - A^{22} + A^{26} \right\} \right\},$$

$$\left\{ \emptyset.25, \left\{ 35, 1 - \frac{1}{A^{20}} + \frac{1}{A^{16}} - \frac{2}{A^{12}} + \frac{2}{A^8} - \frac{1}{A^4} - 2A^8 + 2A^{12} - 2A^{16} + A^{20} - A^{24} \right\} \right\},$$

$$\left\{ \emptyset.28125, \left\{ 36, -\frac{1}{A^{24}} + \frac{1}{A^{20}} - \frac{2}{A^{16}} + \frac{2}{A^{12}} - \frac{2}{A^8} - 2A^4 + 2A^8 - A^{12} + 2A^{16} - A^{20} \right\} \right\},$$

$$\left\{ \emptyset.28125, \left\{ 37, \frac{1}{A^{22}} - \frac{1}{A^{18}} + \frac{2}{A^{14}} - \frac{3}{A^{10}} + \frac{1}{A^6} - \frac{1}{A^2} - A^2 + A^6 - 3A^{10} + 2A^{14} - A^{18} + A^{22} \right\} \right\},$$

$$\left\{ \emptyset.3125, \left\{ 38, 1 - \frac{1}{A^{24}} + \frac{1}{A^{20}} - \frac{3}{A^{16}} + \frac{2}{A^{12}} - \frac{2}{A^8} + \frac{1}{A^4} - 2A^4 + 2A^8 - 2A^{12} + 2A^{16} - A^{20} \right\} \right\},$$

$$\left\{ \emptyset.34375, \left\{ 39, 1 - \frac{1}{A^{20}} + \frac{1}{A^{16}} - \frac{3}{A^{12}} + \frac{2}{A^8} - \frac{2}{A^4} - 2A^8 + 3A^{12} - 2A^{16} + 2A^{20} - A^{24} \right\} \right\},$$

$$\left\{ \emptyset.296875, \left\{ 40, \frac{1}{A^{22}} - \frac{2}{A^{18}} + \frac{3}{A^{14}} - \frac{3}{A^{10}} + \frac{3}{A^6} - \frac{1}{A^2} - 2A^2 + A^6 - 4A^{10} + 3A^{14} - 2A^{18} + A^{22} \right\} \right\},$$

$$\left\{ \emptyset.34375, \left\{ 41, 1 - \frac{1}{A^{20}} + \frac{2}{A^{16}} - \frac{3}{A^{12}} + \frac{2}{A^8} - \frac{3}{A^4} + A^4 - 2A^8 + 3A^{12} - 3A^{16} + 2A^{20} - A^{24} \right\} \right\},$$

$$\left\{ \emptyset.359375, \left\{ 42, \frac{1}{A^{22}} - \frac{2}{A^{18}} + \frac{3}{A^{14}} - \frac{4}{A^{10}} + \frac{2}{A^6} - \frac{2}{A^2} - A^2 + 3A^6 - 3A^{10} + 3A^{14} - 3A^{18} + A^{22} \right\} \right\},$$

$$\left\{ \emptyset.328125, \left\{ 43, \frac{1}{A^{22}} - \frac{2}{A^{18}} + \frac{3}{A^{14}} - \frac{3}{A^{10}} + \frac{2}{A^6} - \frac{2}{A^2} - 2A^2 + 2A^6 - 3A^{10} + 3A^{14} - 2A^{18} + A^{22} \right\} \right\},$$

$$\left\{ \emptyset.40625, \left\{ 44, 1 - \frac{1}{A^{20}} + \frac{2}{A^{16}} - \frac{3}{A^{12}} + \frac{3}{A^8} - \frac{3}{A^4} - 3A^8 + 3A^{12} - 3A^{16} + 3A^{20} - A^{24} \right\} \right\},$$

$$\left\{ \emptyset.296875, \left\{ 45, \frac{1}{A^{22}} - \frac{3}{A^{18}} + \frac{3}{A^{14}} - \frac{4}{A^{10}} + \frac{3}{A^6} - \frac{1}{A^2} - A^2 + 3A^6 - 4A^{10} + 3A^{14} - 3A^{18} + A^{22} \right\} \right\},$$

$$\left\{ \emptyset.59375, \left\{ 46, -1 - \frac{1}{A^{28}} + \frac{1}{A^{24}} - \frac{1}{A^{20}} + \frac{1}{A^{16}} + \frac{1}{A^8} + \frac{1}{A^4} - 2A^8 - A^{16} \right\} \right\},$$

$$\left\{ \emptyset.28125, \left\{ 47, \frac{1}{A^{26}} - \frac{1}{A^{22}} + \frac{2}{A^{18}} - \frac{1}{A^{14}} + \frac{1}{A^{10}} - \frac{1}{A^6} - \frac{2}{A^2} - 2A^6 + A^{10} - A^{14} + A^{18} \right\} \right\},$$

$$\left\{ \emptyset.34375, \left\{ 48, \frac{1}{A^{22}} - \frac{1}{A^{18}} + \frac{2}{A^{14}} - \frac{2}{A^{10}} + \frac{1}{A^6} - \frac{2}{A^2} - 2A^2 + A^6 - 2A^{10} + 2A^{14} - A^{18} + A^{22} \right\} \right\},$$

$$\left\{ \emptyset.359375, \left\{ 49, 1 - \frac{1}{A^{20}} + \frac{1}{A^{16}} - \frac{3}{A^{12}} + \frac{1}{A^8} - \frac{3}{A^4} + A^4 - A^8 + 3A^{12} - 2A^{16} + 2A^{20} - A^{24} \right\} \right\},$$

$$\left\{ \emptyset.484375, \left\{ 50, 1 - \frac{1}{A^{24}} + \frac{1}{A^{20}} - \frac{2}{A^{16}} + \frac{3}{A^{12}} - \frac{1}{A^8} + \frac{1}{A^4} - 2A^4 + A^8 - 3A^{12} + A^{16} - A^{20} \right\} \right\},$$

$$\left\{ \emptyset.3125, \left\{ 51, \frac{1}{A^{22}} - \frac{1}{A^{18}} + \frac{3}{A^{14}} - \frac{3}{A^{10}} + \frac{2}{A^6} - \frac{2}{A^2} - 2A^2 + A^6 - 3A^{10} + 3A^{14} - 2A^{18} + A^{22} \right\} \right\},$$

$$\left\{ \emptyset.28125, \left\{ 52, \frac{1}{A^{26}} - \frac{2}{A^{22}} + \frac{3}{A^{18}} - \frac{2}{A^{14}} + \frac{1}{A^{10}} - \frac{1}{A^6} - \frac{2}{A^2} + A^2 - 3A^6 + 2A^{10} - A^{14} + A^{18} \right\} \right\},$$

$$\left\{ \emptyset.421875, \left\{ 53, 1 - \frac{1}{A^{24}} + \frac{2}{A^{20}} - \frac{4}{A^{16}} + \frac{2}{A^{12}} - \frac{3}{A^8} - 2A^4 + 4A^8 - 2A^{12} + 2A^{16} - A^{20} \right\} \right\},$$

$$\left\{ \emptyset.328125, \left\{ 54, \frac{1}{A^{26}} - \frac{1}{A^{22}} + \frac{2}{A^{18}} - \frac{2}{A^{14}} + \frac{1}{A^{10}} - \frac{1}{A^6} - \frac{2}{A^2} - 2A^6 + 2A^{10} - A^{14} + A^{18} \right\} \right\},$$

$$\left\{ \emptyset.3125, \left\{ 55, 1 - \frac{1}{A^{24}} + \frac{1}{A^{20}} - \frac{3}{A^{16}} + \frac{2}{A^{12}} - \frac{3}{A^8} - A^4 + 3A^8 - 2A^{12} + 2A^{16} - A^{20} \right\} \right\},$$

$$\left\{ \emptyset.265625, \left\{ 56, 1 - \frac{1}{A^{24}} + \frac{2}{A^{20}} - \frac{3}{A^{16}} + \frac{3}{A^{12}} - \frac{1}{A^8} + \frac{1}{A^4} - 3A^4 + 2A^8 - 3A^{12} + A^{16} - A^{20} \right\} \right\},$$

$$\left\{ \emptyset.390625, \left\{ 57, \frac{1}{A^{22}} - \frac{2}{A^{18}} + \frac{4}{A^{14}} - \frac{3}{A^{10}} + \frac{2}{A^6} - \frac{2}{A^2} - 2A^2 + 2A^6 - 4A^{10} + 3A^{14} - 2A^{18} + A^{22} \right\} \right\},$$

$$\left\{ \emptyset.28125, \left\{ 58, 1 - \frac{1}{A^{24}} + \frac{1}{A^{20}} - \frac{3}{A^{16}} + \frac{3}{A^{12}} - \frac{2}{A^8} + \frac{1}{A^4} - 2A^4 + 2A^8 - 3A^{12} + 2A^{16} - A^{20} \right\} \right\},$$

$$\left\{ \emptyset.328125, \left\{ 59, -\frac{1}{A^{24}} + \frac{2}{A^{20}} - \frac{3}{A^{16}} + \frac{4}{A^{12}} - \frac{2}{A^8} - 3A^4 + 3A^8 - 3A^{12} + 2A^{16} - A^{20} \right\} \right\},$$

$$\left\{ \emptyset.25, \left\{ 60, 1 - \frac{1}{A^{24}} + \frac{3}{A^{20}} - \frac{4}{A^{16}} + \frac{3}{A^{12}} - \frac{3}{A^8} - 3A^4 + 4A^8 - 3A^{12} + 2A^{16} - A^{20} \right\} \right\},$$

$$\left\{ \emptyset.375, \left\{ 61, -\frac{1}{A^{28}} + \frac{1}{A^{24}} - \frac{1}{A^{20}} + \frac{1}{A^{16}} - \frac{1}{A^{12}} + \frac{1}{A^4} + A^4 - 2A^8 - A^{16} \right\} \right\},$$

$$\left\{ \emptyset.296875, \left\{ 62, \frac{1}{A^{26}} - \frac{1}{A^{22}} + \frac{2}{A^{18}} - \frac{2}{A^{14}} + \frac{1}{A^{10}} - \frac{1}{A^2} - 3A^6 + A^{10} - A^{14} + A^{18} \right\} \right\},$$

$$\left\{ \emptyset.5, \left\{ 63, -\frac{1}{A^{24}} + \frac{1}{A^{20}} - \frac{3}{A^{16}} + \frac{2}{A^{12}} - \frac{2}{A^8} - 2A^4 + 3A^8 - A^{12} + 2A^{16} - A^{20} \right\} \right\},$$

- $\{0.296875, \left\{64, -\frac{1}{A^{24}} + \frac{1}{A^{20}} - \frac{2}{A^{16}} + \frac{3}{A^{12}} - \frac{1}{A^8} - 2A^4 + 2A^8 - 2A^{12} + A^{16} - A^{20}\right\}\},$
- $\{0.28125, \left\{65, \frac{1}{A^{22}} - \frac{1}{A^{18}} + \frac{3}{A^{14}} - \frac{3}{A^{10}} + \frac{1}{A^6} - \frac{2}{A^2} - A^2 + 2A^6 - 3A^{10} + 2A^{14} - 2A^{18} + A^{22}\right\}\},$
- $\{0.265625, \left\{66, 2 - \frac{1}{A^{20}} + \frac{1}{A^{16}} - \frac{4}{A^{12}} + \frac{2}{A^8} - \frac{3}{A^4} + A^4 - 2A^8 + 3A^{12} - 3A^{16} + 3A^{20} - A^{24}\right\}\},$
- $\{0.296875, \left\{67, -\frac{1}{A^{24}} + \frac{1}{A^{20}} - \frac{3}{A^{16}} + \frac{3}{A^{12}} - \frac{2}{A^8} - 2A^4 + 3A^8 - 2A^{12} + 2A^{16} - A^{20}\right\}\},$
- $\{0.296875, \left\{68, \frac{1}{A^{26}} - \frac{2}{A^{22}} + \frac{2}{A^{18}} - \frac{3}{A^{14}} + \frac{1}{A^{10}} - \frac{1}{A^2} + A^2 - 3A^6 + 2A^{10} - A^{14} + A^{18}\right\}\},$
- $\{0.28125, \left\{69, \frac{1}{A^{22}} - \frac{2}{A^{18}} + \frac{4}{A^{14}} - \frac{4}{A^{10}} + \frac{2}{A^6} - \frac{2}{A^2} - A^2 + 3A^6 - 4A^{10} + 3A^{14} - 3A^{18} + A^{22}\right\}\},$
- $\{0.234375, \left\{70, 1 - \frac{1}{A^{24}} + \frac{2}{A^{20}} - \frac{3}{A^{16}} + \frac{3}{A^{12}} - \frac{2}{A^8} - 2A^4 + 3A^8 - 3A^{12} + A^{16} - A^{20}\right\}\},$
- $\{0.234375, \left\{71, \frac{1}{A^{22}} - \frac{2}{A^{18}} + \frac{3}{A^{14}} - \frac{4}{A^{10}} + \frac{2}{A^6} - \frac{1}{A^2} - A^2 + 2A^6 - 4A^{10} + 3A^{14} - 2A^{18} + A^{22}\right\}\},$
- $\{0.484375, \left\{72, 1 - \frac{1}{A^{24}} + \frac{3}{A^{20}} - \frac{3}{A^{16}} + \frac{3}{A^{12}} - \frac{2}{A^8} - 3A^4 + 3A^8 - 3A^{12} + A^{16} - A^{20}\right\}\},$
- $\{0.28125, \left\{73, \frac{1}{A^{22}} - \frac{3}{A^{18}} + \frac{3}{A^{14}} - \frac{4}{A^{10}} + \frac{2}{A^6} - \frac{1}{A^2} - A^2 + 3A^6 - 4A^{10} + 3A^{14} - 2A^{18} + A^{22}\right\}\},$
- $\{0.28125, \left\{74, 1 - \frac{1}{A^{24}} + \frac{2}{A^{20}} - \frac{3}{A^{16}} + \frac{2}{A^{12}} - \frac{3}{A^8} - \frac{1}{A^4} - A^4 + 4A^8 - 2A^{12} + A^{16} - A^{20}\right\}\},$
- $\{0.28125, \left\{75, 1 - \frac{1}{A^{20}} + \frac{2}{A^{16}} - \frac{3}{A^{12}} + \frac{4}{A^8} - \frac{2}{A^4} - A^4 - 4A^8 + 3A^{12} - 3A^{16} + 3A^{20} - A^{24}\right\}\},$
- $\{0.265625, \left\{76, 2 - \frac{1}{A^{24}} + \frac{2}{A^{20}} - \frac{3}{A^{16}} + \frac{2}{A^{12}} - \frac{1}{A^8} + \frac{1}{A^4} - 2A^4 + 2A^8 - 3A^{12} - A^{20}\right\}\},$
- $\{0.28125, \left\{77, \frac{1}{A^{22}} - \frac{2}{A^{18}} + \frac{3}{A^{14}} - \frac{2}{A^{10}} + \frac{2}{A^6} - \frac{1}{A^2} - 2A^2 + A^6 - 4A^{10} + 2A^{14} - A^{18} + A^{22}\right\}\},$
- $\{0.234375, \left\{78, -\frac{1}{A^{20}} + \frac{2}{A^{16}} - \frac{3}{A^{12}} + \frac{2}{A^8} - \frac{3}{A^4} - 2A^8 + 4A^{12} - 2A^{16} + 2A^{20} - A^{24}\right\}\},$
- $\{0.28125, \left\{79, \frac{1}{A^{22}} - \frac{1}{A^{18}} + \frac{3}{A^{14}} - \frac{3}{A^{10}} + \frac{1}{A^6} - \frac{2}{A^2} - 2A^2 + A^6 - 3A^{10} + 3A^{14} - A^{18} + A^{22}\right\}\},$
- $\{0.234375, \left\{80, 1 - \frac{1}{A^{20}} + \frac{1}{A^{16}} - \frac{4}{A^{12}} + \frac{2}{A^8} - \frac{3}{A^4} + A^4 - A^8 + 4A^{12} - 3A^{16} + 2A^{20} - A^{24}\right\}\},$
- $\{0.25, \left\{81, \frac{1}{A^{22}} - \frac{2}{A^{18}} + \frac{4}{A^{14}} - \frac{4}{A^{10}} + \frac{2}{A^6} - \frac{2}{A^2} - 2A^2 + 2A^6 - 4A^{10} + 4A^{14} - 2A^{18} + A^{22}\right\}\},$
- $\{0.390625, \left\{82, -\frac{1}{A^{20}} + \frac{2}{A^{16}} - \frac{2}{A^{12}} + \frac{2}{A^8} - \frac{3}{A^4} - 2A^8 + 3A^{12} - 2A^{16} + 2A^{20} - A^{24}\right\}\},$
- $\{0.265625, \left\{83, \frac{1}{A^{22}} - \frac{2}{A^{18}} + \frac{3}{A^{14}} - \frac{4}{A^{10}} + \frac{3}{A^6} - \frac{1}{A^2} - A^2 + 2A^6 - 4A^{10} + 3A^{14} - 3A^{18} + A^{22}\right\}\},$
- $\{0.28125, \left\{84, \frac{1}{A^{22}} - \frac{3}{A^{18}} + \frac{4}{A^{14}} - \frac{3}{A^{10}} + \frac{3}{A^6} - \frac{1}{A^2} - 2A^2 + 2A^6 - 5A^{10} + 3A^{14} - 2A^{18} + A^{22}\right\}\},$

$$\left\{ \emptyset.265625, \left\{ 85, \frac{1}{A^{18}} - \frac{2}{A^{14}} + \frac{1}{A^{10}} - \frac{3}{A^6} + \frac{1}{A^2} - A^2 + 2A^{10} - 2A^{14} + 2A^{18} - 2A^{22} + A^{26} \right\} \right\},$$

$$\left\{ \emptyset.265625, \left\{ 86, 1 - \frac{1}{A^{20}} + \frac{2}{A^{16}} - \frac{3}{A^{12}} + \frac{4}{A^8} - \frac{3}{A^4} - 3A^8 + 3A^{12} - 4A^{16} + 3A^{20} - A^{24} \right\} \right\},$$

$$\left\{ \emptyset.234375, \left\{ 87, -\frac{1}{A^{20}} + \frac{3}{A^{16}} - \frac{3}{A^{12}} + \frac{3}{A^8} - \frac{3}{A^4} - 3A^8 + 4A^{12} - 3A^{16} + 2A^{20} - A^{24} \right\} \right\},$$

$$\left\{ \emptyset.265625, \left\{ 88, \frac{1}{A^{22}} - \frac{3}{A^{18}} + \frac{4}{A^{14}} - \frac{5}{A^{10}} + \frac{3}{A^6} - \frac{1}{A^2} - A^2 + 3A^6 - 5A^{10} + 4A^{14} - 3A^{18} + A^{22} \right\} \right\},$$

$$\left\{ \emptyset.28125, \left\{ 89, \frac{1}{A^{22}} - \frac{4}{A^{18}} + \frac{4}{A^{14}} - \frac{4}{A^{10}} + \frac{3}{A^6} - \frac{1}{A^2} - 2A^2 + 3A^6 - 5A^{10} + 4A^{14} - 2A^{18} + A^{22} \right\} \right\},$$

$$\left\{ \emptyset.25, \left\{ 90, 1 - \frac{1}{A^{20}} + \frac{2}{A^{16}} - \frac{3}{A^{12}} + \frac{3}{A^8} - \frac{3}{A^4} + A^4 - 2A^8 + 3A^{12} - 4A^{16} + 2A^{20} - A^{24} \right\} \right\},$$

$$\left\{ \emptyset.265625, \left\{ 91, \frac{1}{A^{22}} - \frac{2}{A^{18}} + \frac{3}{A^{14}} - \frac{3}{A^{10}} + \frac{2}{A^6} - \frac{2}{A^2} - 2A^2 + 2A^6 - 3A^{10} + 3A^{14} - 2A^{18} + A^{22} \right\} \right\},$$

$$\left\{ \emptyset.40625, \left\{ 92, 1 - \frac{1}{A^{24}} + \frac{3}{A^{20}} - \frac{4}{A^{16}} + \frac{4}{A^{12}} - \frac{2}{A^8} + \frac{1}{A^4} - 4A^4 + 3A^8 - 4A^{12} + 2A^{16} - A^{20} \right\} \right\},$$

$$\left\{ \emptyset.28125, \left\{ 93, \frac{1}{A^{18}} - \frac{2}{A^{14}} + \frac{2}{A^{10}} - \frac{3}{A^6} + \frac{2}{A^2} - A^2 - A^6 + A^{10} - 3A^{14} + 3A^{18} - 2A^{22} + A^{26} \right\} \right\},$$

$$\left\{ \emptyset.25, \left\{ 94, 1 - \frac{1}{A^{24}} + \frac{2}{A^{20}} - \frac{3}{A^{16}} + \frac{3}{A^{12}} - \frac{2}{A^8} + \frac{1}{A^4} - 3A^4 + 2A^8 - 3A^{12} + 2A^{16} - A^{20} \right\} \right\},$$

$$\left\{ \emptyset.265625, \left\{ 95, \frac{1}{A^{22}} - \frac{2}{A^{18}} + \frac{4}{A^{14}} - \frac{4}{A^{10}} + \frac{3}{A^6} - \frac{2}{A^2} - 2A^2 + 2A^6 - 4A^{10} + 4A^{14} - 3A^{18} + A^{22} \right\} \right\},$$

$$\left\{ \emptyset.28125, \left\{ 96, 2 - \frac{1}{A^{20}} + \frac{2}{A^{16}} - \frac{4}{A^{12}} + \frac{4}{A^8} - \frac{3}{A^4} + A^4 - 3A^8 + 3A^{12} - 5A^{16} + 3A^{20} - A^{24} \right\} \right\},$$

$$\left\{ \emptyset.328125, \left\{ 97, -\frac{1}{A^{20}} + \frac{3}{A^{16}} - \frac{3}{A^{12}} + \frac{4}{A^8} - \frac{3}{A^4} - 3A^8 + 4A^{12} - 4A^{16} + 2A^{20} - A^{24} \right\} \right\},$$

$$\left\{ \emptyset.296875, \left\{ 98, 1 - \frac{1}{A^{20}} + \frac{2}{A^{16}} - \frac{4}{A^{12}} + \frac{2}{A^8} - \frac{4}{A^4} + 2A^4 - A^8 + 4A^{12} - 4A^{16} + 2A^{20} - A^{24} \right\} \right\},$$

$$\left\{ \emptyset.296875, \left\{ 99, \frac{1}{A^{22}} - \frac{2}{A^{18}} + \frac{4}{A^{14}} - \frac{3}{A^{10}} + \frac{2}{A^6} - \frac{3}{A^2} - 3A^2 + 2A^6 - 3A^{10} + 4A^{14} - 2A^{18} + A^{22} \right\} \right\},$$

$$\left\{ \emptyset.3125, \left\{ 100, \frac{1}{A^{18}} - \frac{2}{A^{14}} + \frac{2}{A^{10}} - \frac{3}{A^6} + \frac{1}{A^2} - 2A^2 - A^6 + 2A^{10} - 2A^{14} + 3A^{18} - 2A^{22} + A^{26} \right\} \right\},$$

$$\left\{ \emptyset.28125, \left\{ 101, 1 - \frac{1}{A^{20}} + \frac{3}{A^{16}} - \frac{3}{A^{12}} + \frac{4}{A^8} - \frac{2}{A^4} - 4A^8 + 3A^{12} - 4A^{16} + 2A^{20} - A^{24} \right\} \right\},$$

$$\left\{ \emptyset.28125, \left\{ 102, 1 - \frac{1}{A^{20}} + \frac{2}{A^{16}} - \frac{3}{A^{12}} + \frac{3}{A^8} - \frac{2}{A^4} - 3A^8 + 3A^{12} - 3A^{16} + 2A^{20} - A^{24} \right\} \right\},$$

$$\left\{ \emptyset.265625, \left\{ 103, \frac{1}{A^{22}} - \frac{2}{A^{18}} + \frac{3}{A^{14}} - \frac{4}{A^{10}} + \frac{1}{A^6} - \frac{2}{A^2} - A^2 + 3A^6 - 3A^{10} + 3A^{14} - 2A^{18} + A^{22} \right\} \right\},$$

$$\left\{ \emptyset.28125, \left\{ 104, \frac{1}{A^{22}} - \frac{2}{A^{18}} + \frac{3}{A^{14}} - \frac{4}{A^{10}} + \frac{2}{A^6} - \frac{1}{A^2} - A^2 + 2A^6 - 4A^{10} + 3A^{14} - 2A^{18} + A^{22} \right\} \right\},$$

$$\left\{ \emptyset.265625, \left\{ 105, 1 - \frac{1}{A^{24}} + \frac{3}{A^{20}} - \frac{4}{A^{16}} + \frac{4}{A^{12}} - \frac{3}{A^8} - 3A^4 + 4A^8 - 4A^{12} + 2A^{16} - A^{20} \right\} \right\},$$

$$\left\{ \emptyset.265625, \left\{ 106, -\frac{1}{A^{24}} + \frac{2}{A^{20}} - \frac{3}{A^{16}} + \frac{4}{A^{12}} - \frac{2}{A^8} - 3A^4 + 3A^8 - 3A^{12} + 2A^{16} - A^{20} \right\} \right\},$$

$$\left\{ \emptyset.265625, \left\{ 107, \frac{1}{A^{22}} - \frac{2}{A^{18}} + \frac{4}{A^{14}} - \frac{5}{A^{10}} + \frac{2}{A^6} - \frac{2}{A^2} - A^2 + 3A^6 - 4A^{10} + 4A^{14} - 3A^{18} + A^{22} \right\} \right\},$$

$$\left\{ \emptyset.296875, \left\{ 108, \frac{1}{A^{26}} - \frac{2}{A^{22}} + \frac{2}{A^{18}} - \frac{3}{A^{14}} + \frac{2}{A^{10}} - \frac{1}{A^2} + A^2 - 3A^6 + 2A^{10} - 2A^{14} + A^{18} \right\} \right\},$$

$$\left\{ \emptyset.265625, \left\{ 109, \frac{1}{A^{22}} - \frac{2}{A^{18}} + \frac{4}{A^{14}} - \frac{4}{A^{10}} + \frac{2}{A^6} - \frac{2}{A^2} - 2A^2 + 2A^6 - 4A^{10} + 4A^{14} - 2A^{18} + A^{22} \right\} \right\},$$

$$\left\{ \emptyset.296875, \left\{ 110, 1 - \frac{1}{A^{20}} + \frac{2}{A^{16}} - \frac{4}{A^{12}} + \frac{3}{A^8} - \frac{3}{A^4} + A^4 - 2A^8 + 4A^{12} - 4A^{16} + 2A^{20} - A^{24} \right\} \right\},$$

$$\left\{ \emptyset.28125, \left\{ 111, 1 - \frac{1}{A^{24}} + \frac{2}{A^{20}} - \frac{3}{A^{16}} + \frac{4}{A^{12}} - \frac{2}{A^8} + \frac{1}{A^4} - 3A^4 + 2A^8 - 4A^{12} + 2A^{16} - A^{20} \right\} \right\},$$

$$\left\{ \emptyset.25, \left\{ 112, -\frac{1}{A^{20}} + \frac{3}{A^{16}} - \frac{3}{A^{12}} + \frac{3}{A^8} - \frac{4}{A^4} - 3A^8 + 4A^{12} - 3A^{16} + 3A^{20} - A^{24} \right\} \right\},$$

$$\left\{ \emptyset.265625, \left\{ 113, \frac{1}{A^{22}} - \frac{4}{A^{18}} + \frac{5}{A^{14}} - \frac{4}{A^{10}} + \frac{4}{A^6} - \frac{1}{A^2} - 2A^2 + 3A^6 - 6A^{10} + 4A^{14} - 3A^{18} + A^{22} \right\} \right\},$$

$$\left\{ \emptyset.34375, \left\{ 114, -\frac{1}{A^{24}} + \frac{3}{A^{20}} - \frac{4}{A^{16}} + \frac{4}{A^{12}} - \frac{3}{A^8} - 4A^4 + 4A^8 - 3A^{12} + 3A^{16} - A^{20} \right\} \right\},$$

$$\left\{ \emptyset.375, \left\{ 115, \frac{1}{A^{22}} - \frac{3}{A^{18}} + \frac{5}{A^{14}} - \frac{5}{A^{10}} + \frac{3}{A^6} - \frac{2}{A^2} - 2A^2 + 3A^6 - 5A^{10} + 5A^{14} - 3A^{18} + A^{22} \right\} \right\},$$

$$\left\{ \emptyset.234375, \left\{ 116, 1 - \frac{1}{A^{20}} + \frac{3}{A^{16}} - \frac{4}{A^{12}} + \frac{3}{A^8} - \frac{4}{A^4} + A^4 - 3A^8 + 4A^{12} - 4A^{16} + 3A^{20} - A^{24} \right\} \right\},$$

$$\left\{ \emptyset.40625, \left\{ 117, \frac{1}{A^{22}} - \frac{3}{A^{18}} + \frac{5}{A^{14}} - \frac{4}{A^{10}} + \frac{3}{A^6} - \frac{2}{A^2} - 2A^2 + 3A^6 - 5A^{10} + 4A^{14} - 3A^{18} + A^{22} \right\} \right\},$$

$$\left\{ \emptyset.40625, \left\{ 118, \frac{1}{A^{22}} - \frac{3}{A^{18}} + \frac{4}{A^{14}} - \frac{4}{A^{10}} + \frac{3}{A^6} - \frac{2}{A^2} - 2A^2 + 3A^6 - 4A^{10} + 4A^{14} - 3A^{18} + A^{22} \right\} \right\},$$

$$\left\{ \emptyset.265625, \left\{ 119, 1 - \frac{1}{A^{20}} + \frac{3}{A^{16}} - \frac{4}{A^{12}} + \frac{4}{A^8} - \frac{4}{A^4} + A^4 - 3A^8 + 4A^{12} - 5A^{16} + 3A^{20} - A^{24} \right\} \right\},$$

$$\left\{ \emptyset.25, \left\{ 120, 2 - \frac{1}{A^{24}} + \frac{3}{A^{20}} - \frac{6}{A^{16}} + \frac{3}{A^{12}} - \frac{4}{A^8} + \frac{1}{A^4} - 3A^4 + 5A^8 - 4A^{12} + 3A^{16} - A^{20} \right\} \right\},$$

$$\left\{ \emptyset.265625, \left\{ 121, \frac{1}{A^{22}} - \frac{4}{A^{18}} + \frac{5}{A^{14}} - \frac{5}{A^{10}} + \frac{3}{A^6} - \frac{2}{A^2} - 2A^2 + 4A^6 - 5A^{10} + 5A^{14} - 3A^{18} + A^{22} \right\} \right\},$$

$$\left\{ \emptyset.265625, \left\{ 122, -\frac{1}{A^{20}} + \frac{4}{A^{16}} - \frac{4}{A^{12}} + \frac{4}{A^8} - \frac{4}{A^4} - 4A^8 + 5A^{12} - 4A^{16} + 3A^{20} - A^{24} \right\} \right\},$$

$$\left\{ \emptyset.265625, \left\{ 123, \frac{1}{A^{22}} - \frac{4}{A^{18}} + \frac{5}{A^{14}} - \frac{5}{A^{10}} + \frac{4}{A^6} - \frac{2}{A^2} - 2A^2 + 4A^6 - 5A^{10} + 5A^{14} - 4A^{18} + A^{22} \right\} \right\},$$

$$\left\{ \emptyset.3125, \left\{ 124, \frac{1}{A^{12}} + \frac{1}{A^8} - A^4 - A^8 - A^{12} - A^{16} \right\} \right\}, \left\{ \emptyset.265625, \left\{ 125, \frac{1}{A^{18}} - \frac{1}{A^6} - \frac{1}{A^2} - A^2 - A^6 + A^{18} \right\} \right\},$$

$$\left\{ \emptyset.28125, \left\{ 126, \frac{1}{A^{14}} - \frac{1}{A^{10}} - \frac{2}{A^2} - A^2 - A^{10} + A^{14} + A^{22} \right\} \right\},$$

$$\left\{ \emptyset.265625, \left\{ 127, 1 - \frac{2}{A^{12}} - \frac{2}{A^4} + 2A^{12} - A^{16} + A^{20} - A^{24} \right\} \right\},$$



$$\begin{aligned}
& \left\{ \emptyset.3125, \left\{ 128, \frac{1}{A^{12}} + \frac{1}{A^4} - A^4 - A^8 - A^{12} - A^{20} \right\} \right\}, \\
& \left\{ \emptyset.296875, \left\{ 129, \frac{1}{A^{14}} - \frac{1}{A^{10}} + \frac{1}{A^6} - \frac{2}{A^2} - A^2 - A^{10} + A^{14} - A^{18} + A^{22} \right\} \right\}, \\
& \left\{ \emptyset.296875, \left\{ 130, \frac{1}{A^{18}} - \frac{1}{A^{14}} - \frac{1}{A^6} - \frac{1}{A^2} - A^2 - A^6 + A^{10} + A^{18} \right\} \right\}, \\
& \left\{ \emptyset.296875, \left\{ 131, -\frac{2}{A^{16}} + \frac{1}{A^{12}} - \frac{2}{A^8} + 2A^8 - A^{12} + A^{16} - A^{20} \right\} \right\}, \left\{ \emptyset.265625, \left\{ 132, -\frac{1}{A^6} - \frac{1}{A^2} - A^2 + A^{18} \right\} \right\}, \\
& \left\{ \emptyset.296875, \left\{ 133, -\frac{1}{A^{16}} - \frac{2}{A^8} + A^8 + A^{16} - A^{20} \right\} \right\}, \left\{ \emptyset.515625, \left\{ 134, -\frac{1}{A^{16}} + \frac{2}{A^{12}} + \frac{1}{A^4} - A^4 - 2A^{12} - A^{20} \right\} \right\}, \\
& \left\{ \emptyset.75, \left\{ 135, \frac{2}{A^{14}} - \frac{2}{A^{10}} + \frac{1}{A^6} - \frac{2}{A^2} - A^2 - 2A^{10} + 2A^{14} - A^{18} + A^{22} \right\} \right\}, \\
& \left\{ \emptyset.421875, \left\{ 136, -1 + \frac{1}{A^{12}} - \frac{1}{A^8} - A^4 + A^{16} - A^{20} \right\} \right\}, \\
& \left\{ \emptyset.53125, \left\{ 137, -\frac{1}{A^{16}} + \frac{1}{A^{12}} - \frac{2}{A^8} + A^8 - A^{12} + A^{16} - A^{20} \right\} \right\}, \\
& \left\{ \emptyset.296875, \left\{ 138, -\frac{2}{A^{16}} + \frac{2}{A^{12}} - \frac{1}{A^8} + \frac{1}{A^4} - A^4 + A^8 - 2A^{12} + A^{16} - A^{20} \right\} \right\}, \\
& \left\{ \emptyset.34375, \left\{ 139, 1 + \frac{1}{A^{20}} - A^4 - A^8 - A^{12} - A^{16} \right\} \right\}, \left\{ \emptyset.3125, \left\{ 140, -\frac{1}{A^{14}} - A^2 - A^6 + A^{18} \right\} \right\}, \\
& \left\{ \emptyset.3125, \left\{ 141, -1 - \frac{1}{A^{16}} + \frac{1}{A^{12}} - \frac{1}{A^8} - A^4 + A^8 + A^{16} - A^{20} \right\} \right\}, \left\{ \emptyset.28125, \left\{ 142, -1 + \frac{2}{A^{12}} - A^4 - A^{12} - A^{20} \right\} \right\}, \\
& \left\{ \emptyset.5625, \left\{ 143, \frac{1}{A^{14}} - \frac{2}{A^{10}} - \frac{2}{A^2} + A^6 - A^{10} + A^{14} - A^{18} + A^{22} \right\} \right\}, \\
& \left\{ \emptyset.28125, \left\{ 144, 2 - \frac{2}{A^{12}} + \frac{1}{A^8} - \frac{2}{A^4} - A^8 + A^{12} - 2A^{16} + 2A^{20} - A^{24} \right\} \right\}, \\
& \left\{ \emptyset.28125, \left\{ 145, -\frac{1}{A^{18}} - \frac{1}{A^{14}} - A^2 + A^{18} \right\} \right\}, \\
& \left\{ \emptyset.25, \left\{ 146, \frac{1}{A^{14}} - \frac{2}{A^{10}} + \frac{1}{A^6} - \frac{2}{A^2} + A^6 - A^{10} + A^{14} - 2A^{18} + A^{22} \right\} \right\}, \\
& \left\{ \emptyset.421875, \left\{ 147, -1 - \frac{1}{A^{16}} + \frac{2}{A^{12}} - \frac{1}{A^8} - A^4 + A^8 - A^{12} + A^{16} - A^{20} \right\} \right\}, \\
& \left\{ \emptyset.59375, \left\{ 148, \frac{1}{A^{14}} - \frac{2}{A^{10}} + \frac{1}{A^6} - \frac{2}{A^2} - A^2 - A^{10} + 2A^{14} - A^{18} + A^{22} \right\} \right\}, \\
& \left\{ \emptyset.453125, \left\{ 149, 1 - \frac{2}{A^{12}} + \frac{1}{A^8} - \frac{3}{A^4} + 2A^{12} - 2A^{16} + 2A^{20} - A^{24} \right\} \right\}, \\
& \left\{ \emptyset.96875, \left\{ 150, -\frac{1}{A^{16}} + \frac{2}{A^{12}} - \frac{1}{A^8} + \frac{1}{A^4} - A^4 - 2A^{12} + A^{16} - A^{20} \right\} \right\}, \\
& \left\{ \emptyset.5625, \left\{ 151, \frac{2}{A^{14}} - \frac{2}{A^{10}} + \frac{2}{A^6} - \frac{2}{A^2} - A^2 - 2A^{10} + 2A^{14} - 2A^{18} + A^{22} \right\} \right\}, \\
& \left\{ \emptyset.65625, \left\{ 152, 1 - \frac{1}{A^{16}} - \frac{1}{A^{12}} - \frac{1}{A^8} - \frac{2}{A^4} + A^8 + A^{12} + A^{20} - A^{24} \right\} \right\},
\end{aligned}$$

$$\left\{ \{0.546875, \left\{ 153, \frac{1}{A^{18}} - \frac{2}{A^2} - A^2 - A^6 + A^{22} \right\} \right\},$$

$$\left\{ \{0.546875, \left\{ 154, -\frac{1}{A^{20}} + \frac{1}{A^{16}} + \frac{1}{A^8} + \frac{1}{A^4} - 2A^8 - A^{16} - A^{20} \right\} \right\},$$

$$\left\{ \{0.4375, \left\{ 155, -\frac{1}{A^{20}} + \frac{1}{A^{16}} - \frac{1}{A^{12}} + \frac{1}{A^8} - 2A^8 + A^{12} - A^{16} \right\} \right\},$$

$$\left\{ \{0.3125, \left\{ 156, \frac{1}{A^{22}} - \frac{2}{A^{18}} + \frac{1}{A^{14}} - \frac{2}{A^{10}} - A^2 + 2A^6 - 2A^{10} + A^{14} \right\} \right\},$$

$$\left\{ \{0.515625, \left\{ 157, 1 - \frac{1}{A^{24}} + \frac{3}{A^{20}} - \frac{2}{A^{16}} + \frac{2}{A^{12}} - \frac{1}{A^8} - \frac{1}{A^4} - 3A^4 + 2A^8 - 2A^{12} \right\} \right\},$$

$$\left\{ \{0.609375, \left\{ 158, 2 - \frac{2}{A^{12}} + \frac{2}{A^8} - \frac{2}{A^4} - A^8 + A^{12} - 3A^{16} + 2A^{20} - A^{24} \right\} \right\},$$

$$\left\{ \{0.6875, \left\{ 159, \frac{1}{A^{14}} - \frac{3}{A^{10}} + \frac{1}{A^6} - \frac{2}{A^2} + A^6 - A^{10} + 2A^{14} - 2A^{18} + A^{22} \right\} \right\},$$

$$\left\{ \{0.59375, \left\{ 160, -1 + \frac{2}{A^{12}} - \frac{1}{A^8} - A^4 - A^{12} + A^{16} - A^{20} \right\} \right\}, \left\{ \{0.40625, \left\{ 161, -\frac{1}{A^{20}} - \frac{1}{A^{16}} - \frac{1}{A^8} + A^{16} \right\} \right\},$$

$$\left\{ \{1., \left\{ 162, 1 - \frac{2}{A^{12}} + \frac{1}{A^8} - \frac{2}{A^4} + 2A^{12} - 2A^{16} + A^{20} - A^{24} \right\} \right\},$$

$$\left\{ \{0.625, \left\{ 163, \frac{2}{A^{14}} - \frac{3}{A^{10}} + \frac{2}{A^6} - \frac{2}{A^2} + A^6 - 2A^{10} + 2A^{14} - 3A^{18} + A^{22} \right\} \right\},$$

$$\left\{ \{0.484375, \left\{ 164, \frac{2}{A^{14}} - \frac{3}{A^{10}} + \frac{1}{A^6} - \frac{2}{A^2} + A^6 - 2A^{10} + 2A^{14} - 2A^{18} + A^{22} \right\} \right\},$$

$$\left\{ \{0.40625, \left\{ 165, -1 - \frac{1}{A^{20}} + \frac{2}{A^{16}} - \frac{1}{A^{12}} + \frac{2}{A^8} - \frac{1}{A^4} - 2A^8 + 2A^{12} - 2A^{16} \right\} \right\}$$

In[ ]:= **Plus @@ tab10**

Out[ ]:=  $\left\{ 56.8906, \left\{ 13695, 53 - \frac{3}{A^{28}} + \frac{8}{A^{26}} - \frac{31}{A^{24}} + \frac{28}{A^{22}} + \frac{18}{A^{20}} - \frac{59}{A^{18}} - \frac{49}{A^{16}} + \frac{112}{A^{14}} - \frac{5}{A^{12}} - \frac{141}{A^{10}} + \frac{12}{A^8} + \frac{69}{A^6} - \frac{80}{A^4} - \frac{88}{A^2} - 76A^2 - 70A^4 + 62A^6 + 7A^8 - 138A^{10} + 18A^{12} + 112A^{14} - 52A^{16} - 72A^{18} + 30A^{20} + 36A^{22} - 35A^{24} + 7A^{26} - 3A^{28} \right\} \right\}$

In[ ]:= **KB[GST48 /. Knots]**

Out[ ]:= **\$Aborted**