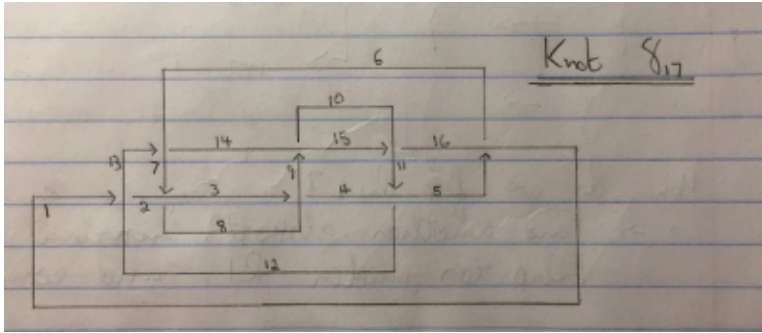


img =



ImageData[img]

```
{ { {0.886275, 0.835294, 0.8}, {0.87451, 0.823529, 0.788235},
  {0.866667, 0.827451, 0.788235}, ... 395 ..., {0.678431, 0.631373, 0.584314},
  {0.682353, 0.635294, 0.588235}, ... 170 ..., { { ... 1 ... }, ... 398 ..., { ... 1 ... } } }
```

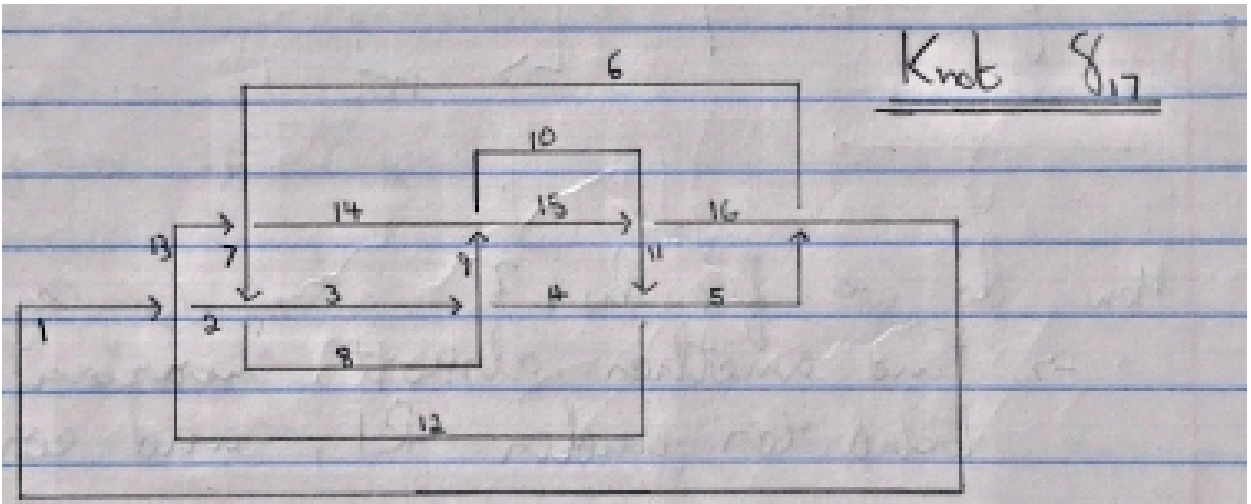
n = 10;

Image[

ListConvolve[ReplacePart[Table[ $\frac{-1}{(2n+1)^2 - 1}$ , {2n+1, 2n+1, 1}], {n+1, n+1, 1} → 1],

ImageData[img]

] // ImageAdjust



```
ListConvolve[ReplacePart[Table[ $\frac{1}{(2n+1)^2-1}$ , n, n, 1], {n+1, n+1, 1} → -1],
ImageData[img]]
```

```
{{{0.198494, 0.187299, 0.177736}, {0.198369, 0.187371, 0.177665},
{0.198316, 0.187513, 0.177665}, ... 386 ... , {0.152398, 0.141257, 0.132014},
{0.152451, 0.141328, 0.131836}}, ... 161 ... , { ... 1 ... }}
```

large output | show less | show more | show all | set size limit...