

Symmetry Factors?

Dror Bar-Natan: Talks: Vienna-1402
<http://www.math.toronto.edu/~drorbn/Talks/Vienna-1402>

A Partial Reduction of BF Theory to Combinatorics, I

Abstract. I will describe a semi-rigorous reduction to computable combinatorics of perturbative BF theory (Cattaneo-Rossi [CR]), in the case of ribbon 2-links. Also, I will explain how and why my approach may or may not work in the non-ribbon case. **Weak** this result is, and at least partially already known (Watanabe [Wa]). Yet in the ribbon case, the resulting invariant is a universal finite type invariant, a gadget that significantly generalizes and clarifies the Alexander polynomial and that is closely related to the Kashiwara-Vergne problem. I cannot rule out the possibility that the corresponding gadget in the non-ribbon case will be as interesting. (good news in highlight)

The BF Feynman Rules. For an edge e , let Φ_e be its direction, in S^3 or S^1 . Let ω_3 and ω_1 be volume forms on S^3 and S^1 . Then for a 2-link $(f)_{in T}$,

$$\zeta = \log \sum_{\text{diagram}} D \int_{\mathbb{R}^2} \cdots \int_{\mathbb{R}^2} \int_{\mathbb{R}^4} \cdots \int_{\mathbb{R}^4} \prod_{\text{red } e \in D} \Phi_e^* \omega_3 \prod_{\text{black } e \in D} \Phi_e^* \omega_1$$

is an invariant in $CW(FL(T)) \rightarrow CW(T)$, "cyclic words in T ".

BF Following [CR]. $A \in \Omega^1(M = \mathbb{R}^4, \mathfrak{g})$, $B \in \Omega^2(M, \mathfrak{g}^*)$,

$$S(A, B) := \int_M \langle B, F_A \rangle.$$

With $f: (S = \mathbb{R}^2) \rightarrow M$, $\xi \in \Omega^0(S, \mathfrak{g})$, $\beta \in \Omega^1(S, \mathfrak{g}^*)$, set

$$O(A, B, f) := \int \mathcal{D}\xi \mathcal{D}\beta \exp\left(\frac{i}{\hbar} \int_S \langle \xi, d_f A \beta + f^* B \rangle\right).$$

Decker Sets ("2D Gauss Codes").

(only double curves are allowed in ribbon 2-knots)

Some Examples.

A 4D knot by Carter and Saito [CS]

A 4D knot by Dalvit [Da]

A 2-link

"ribbed cigar presentation"

A 2-twist spun trefoil by Carter-Kamada-Saito [CKS].

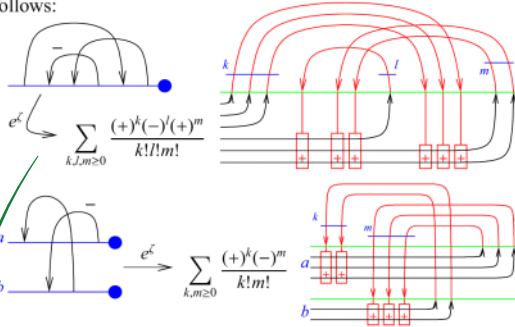
A BF Feynman Diagram.

1. consider moving some complexity to the term on the right.
 2. Invariance proof?

A: Add some "collapsing trees on wheels" picture, perhaps where marked.

A Partial Reduction of BF Theory to Combinatorics, 2

Theorem 1. For any ribbon 2-knot/link, e^c can be computed as follows:



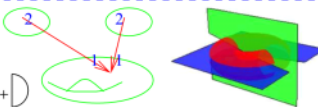
Sketch of Proof. In 4D axial gauge, only “drop down” red propagators, hence no M -trivalent vertices. S integrals are ± 1 iff “ground pieces” run on nested curves as below, and exponentials arise when several propagators compete for the same double curve. And then the combinatorics is obvious. . .



Musings

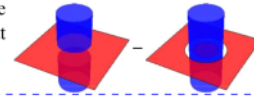
Chem-Simons. When the domain of BF is restricted to ribbon knots, and the target of CS is restricted to trees and wheels, they agree. Why?

Is this all? What about the ν -invariant? (the “true” triple linking number)



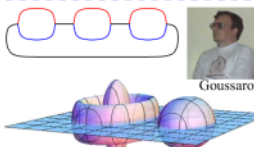
Gnots. In 3D, a generic immersion of S^1 is an embedding, a knot. In 4D, a generic immersion of a surface has finitely-many double points (a gnot?). Perhaps we should be studying these?

Finite type. What are finite-type invariants for 2-knots? What would be “chord diagrams”?



Bubble-wrap-finite-type.

There’s an alternative definition of finite type in 3D, due to Goussarov (see [BN2]). The obvious parallel in 4D involves “bubble wraps”. Is it any good?



Shielded tangles. In 3D, one can’t zoom in and compute “the Chern-Simons invariant of a tangle”. Yet there are well-defined invariants of “shielded tangles”, and rules for their compositions. What would the 4D analog be?



Will the relationship with the Kashiwara-Vergne problem [BND] necessarily arise here?

Plane curves. Shouldn’t we understand integral / finite type invariants of plane curves, in the style of Arnold’s J^+ , J^- , and St [Ar], a bit better?

	$a(\times)$	$a(\sphericalangle)$	$a(\sphericalcap)$	∞	\circ	\odot	$\odot\odot$	$\odot\odot\odot$	\dots
St	1	0	0	0	0	1	2	3	\dots
J^+	0	2	0	0	0	-2	-4	-6	\dots
J^-	0	0	-2	-1	0	-3	-6	-9	\dots

“God created the knots, all else in topology is the work of mortals.”
 Leopold Kronecker (modified)



www.katlas.org



Theorem 2. Using Gauss diagrams to represent knots and T -component pure tangles, the above formulas define an invariant in $CW(FL(T)) \rightarrow CW(T)$, “cyclic words in T ”.

- Agrees with BN-Dancso [BND] and with [BN1].
- Vanishes on braids.
- Extends to w .
- Contains Alexander.
- The “missing factor” in Levine’s factorization [Le] (the rest of [Le] also fits, hence contains the MVA).
- Related to / extends Farber’s [Fa]?
- Should be summed and categorized.

References.

[Ar] V. I. Arnold, *Topological Invariants of Plane Curves and Caustics*, University Lecture Series 5, American Mathematical Society 1994.
 [BN1] D. Bar-Natan, *Balloons and Hoops and their Universal Finite Type Invariant, BF Theory, and an Ultimate Alexander Invariant*, <http://www.math.toronto.edu/~drorbn/papers/KBH/>, arXiv:1308.1721.
 [BN2] D. Bar-Natan, *Bracelets and the Goussarov filtration of the space of knots, Invariants of knots and 3-manifolds (Kyoto 2001)*, *Geometry and Topology Monographs* 4 1–12, arXiv:math.GT/0111267.
 [BND] D. Bar-Natan and Z. Dancso, *Finite Type Invariants of W-Knotted Objects: From Alexander to Kashiwara and Vergne*, <http://www.math.toronto.edu/~drorbn/papers/WKO/>.
 [CKS] J. S. Carter, S. Kamada, and M. Saito, *Diagrammatic Computations for Quandles and Cocycle Knot Invariants*, *Contemp. Math.* 318 (2003) 51–74.
 [CS] J. S. Carter and M. Saito, *Knotted surfaces and their diagrams*, *Mathematical Surveys and Monographs* 55, American Mathematical Society, Providence 1998.
 [Da] E. Dalvit, <http://science.unitn.it/~dalvit/>.
 [CR] A. S. Cattaneo and C. A. Rossi, *Wilson Surfaces and Higher Dimensional Knot Invariants*, *Commun. in Math. Phys.* 256-3 (2005) 513–537, arXiv:math-ph/0210037.
 [Fa] M. Farber, *Noncommutative Rational Functions and Boundary Links*, *Math. Ann.* 293 (1992) 543–568.
 [Le] J. Levine, *A Factorization of the Conway Polynomial*, *Comment. Math. Helv.* 74 (1999) 27–53, arXiv:q-alg/9711007.
 [Ro] D. Roseman, *Reidemeister-Type Moves for Surfaces in Four-Dimensional Space*, *Knot Theory*, Banach Center Publications 42 (1998) 347–380.
 [Wa] T. Watanabe, *Configuration Space Integrals for Long n -Knots, the Alexander Polynomial and Knot Space Cohomology*, *Alg. and Geom. Top.* 7 (2007) 47–92, arXiv:math/0609742.

virtual 2-knots?
 Group only?
 Add an explicit computation? ~